

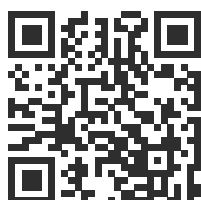
# ChowHUB

BT + Wi-Fi



## User Manual

For Universal Smartphone  
Control HUB



**TMT AUTOMATION INC**

# Index

Introduction of the ChowHUB .....	P2
Product overview .....	P2
Kit contents .....	P3
Specifications .....	P3
Installation guide .....	P4
Wire connection cycle mode .....	P5
Wire connection open/stop/close mode .....	P6
Apply for a new Chow account .....	P8
Connecting the ChowHUB to the Chow! App .....	P9
Setting of Chow!APP cycle mode .....	P10
Setting of Chow!APP open/stop/close mode .....	P10
Operation page .....	P11
Wireless door sensor .....	P11
Pairing remotes .....	P13
Account management page .....	P15
Push notification .....	P15
Owner shares device .....	P16
FAQ .....	P17

# Introduction of the ChowHUB

This user manual is designed to provide indications of the ChowHUB

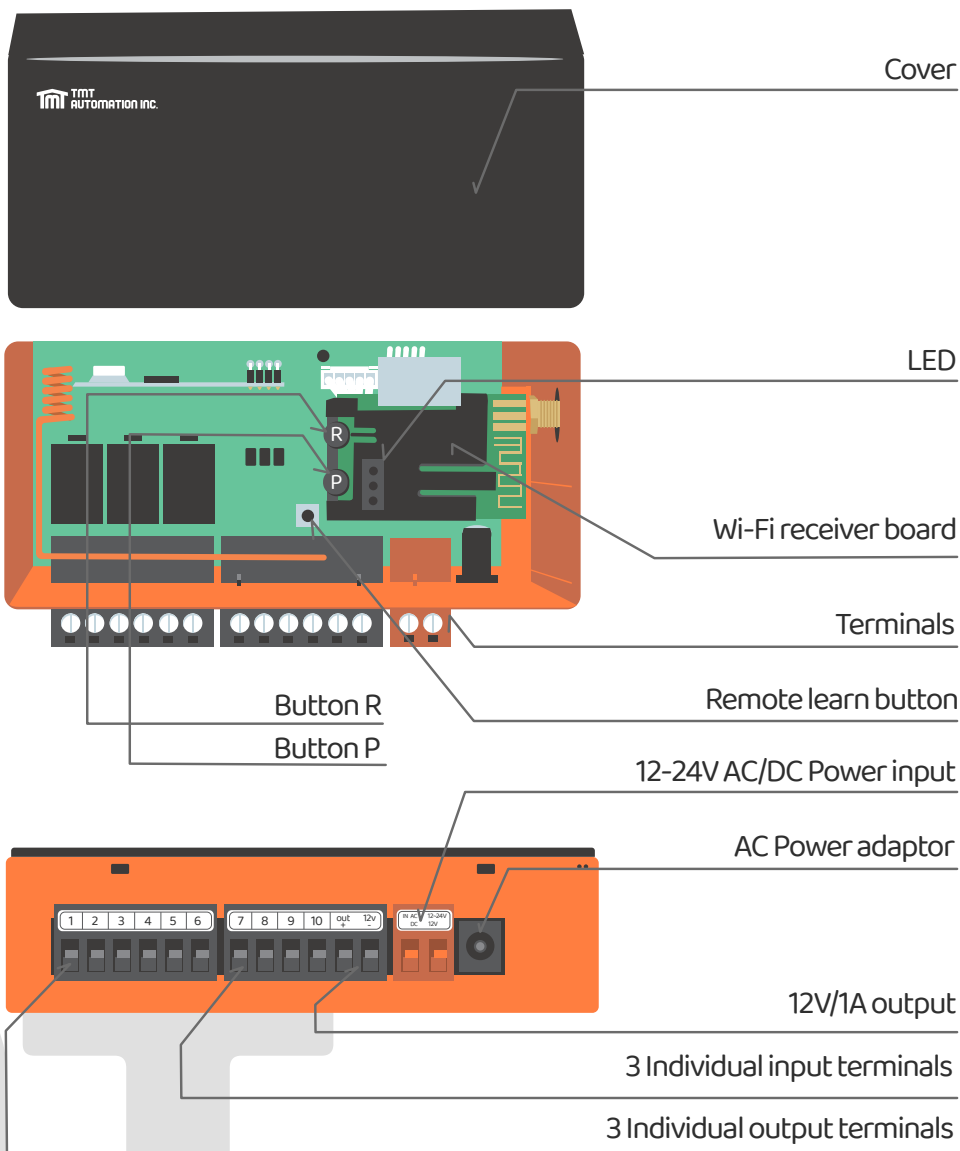
and its features and functions

ChowHUB is a device can upgrade the existing automation system to become a smartphone control unit through TMT Chow! APP

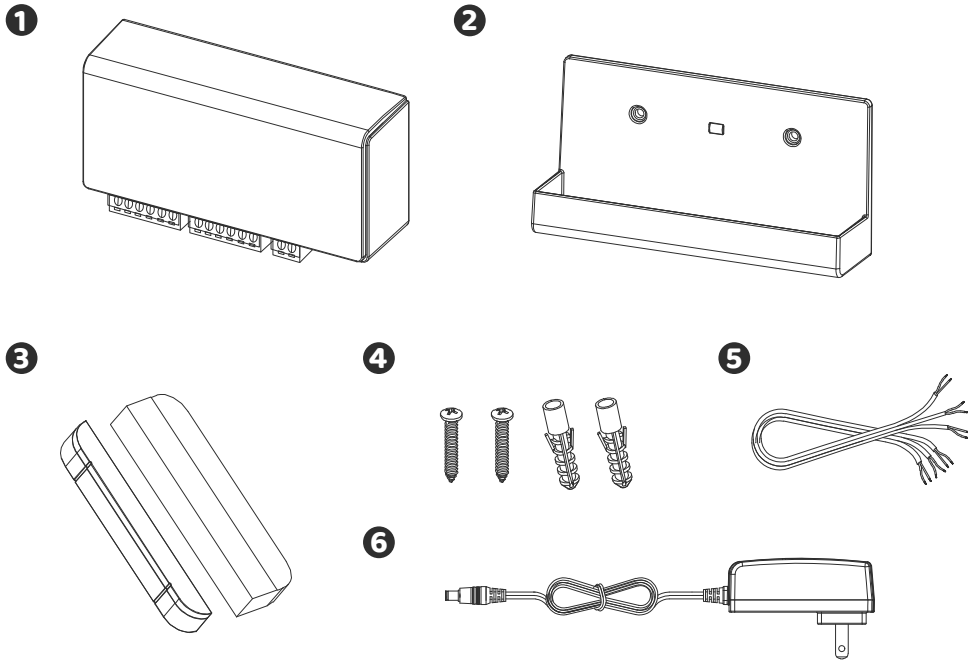
ChowHUB can intergrade with other TMT IOT accessories such as ChowCAM and ChowBELL on the Chow! APP

## Product overview

Universal stand-alone Wi-Fi HUB



## Kit contents



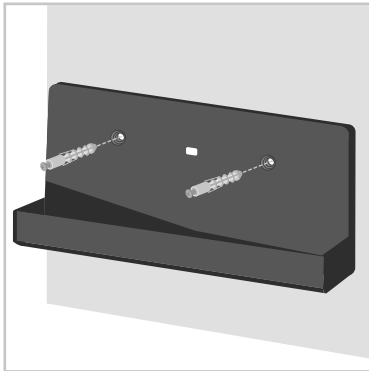
- 1 ChowHUB
- 2 Holder
- 3 Door Status sensor
- 4 Expansion screws
- 5 Wire\*3pcs
- 6 Power plug

## Specifications

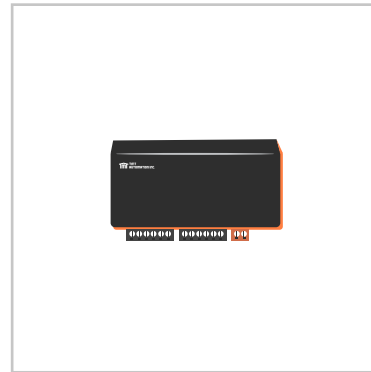
Frequency	433 Mhz and 2.4GHz
Working temperature	-20°C~70°C
Dimensions	56x110x35mm
Power	AC/DC, 12V/24V, 1A

# Installation guide

## General Installation



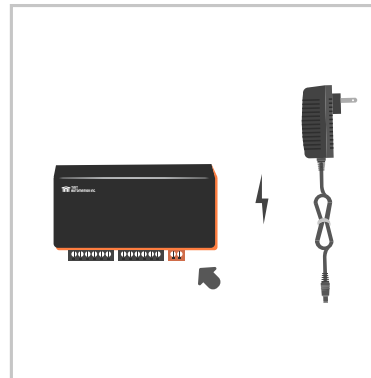
- 1 Measure the drilling positions for the expansion screws with the holder.  
Fasten the holder with the expansion screws to the wall.



- 2 Install the antenna on the ChowHUB



- 3 The ChowHUB will magnetically be attached to the holder.

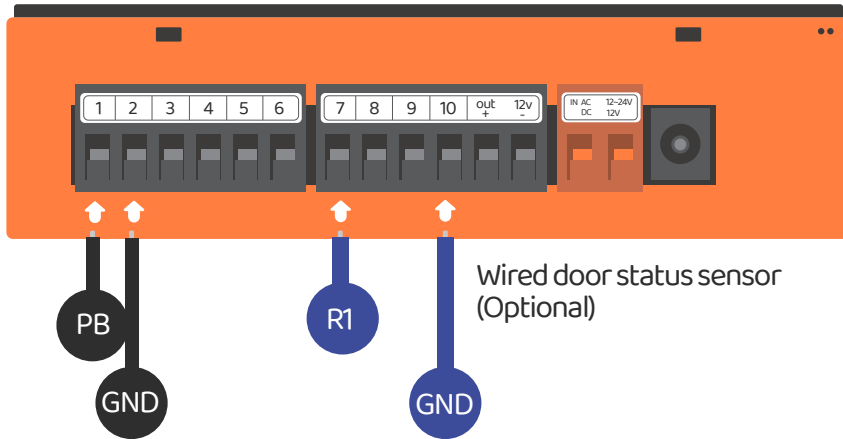


- 4 Attach the power plug to the ChowHUB. The blue LED will blink right after it's plug in, and the ChowHUB will be ready for pairing.

## Wire connection cycle mode

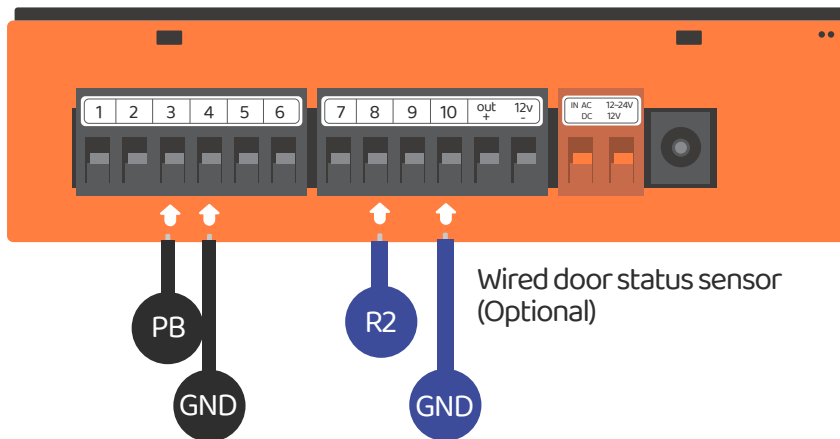
1. Please connect **1** and **2** terminals to the push button terminal of your gate automation.
- 7** is the terminal for a wired limit switch that sends signal to your smart phone when triggered.

\*\*\*Please refer to the manual of your automation to find the push button terminal\*\*\*



2. To control a second device. Please connect **3** and **4** terminals to the push button terminal of your gate automation.
- 8** is the terminal for second wired limit switch that sends signal to your smart phone when triggered.

\*\*\*Please refer to the manual of your automation to find the push button terminal\*\*\*

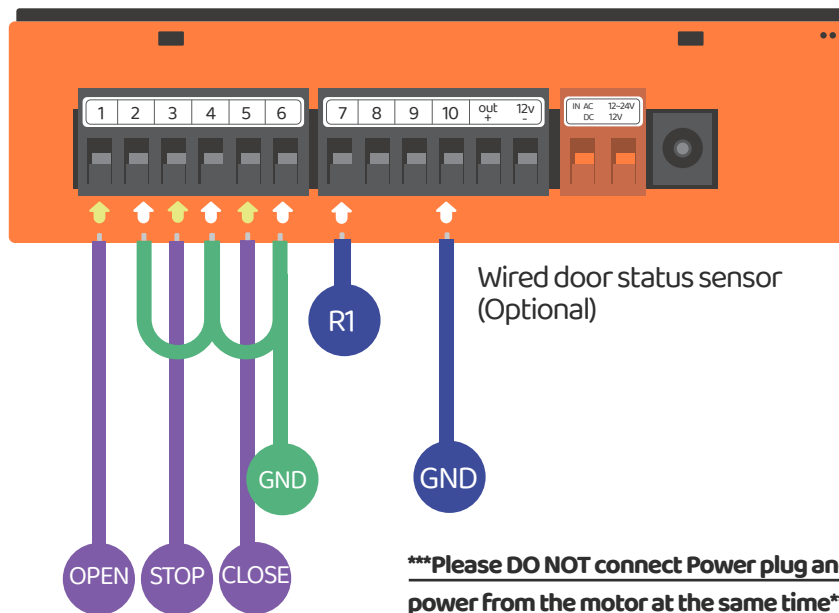


## Wire connection open/stop/close mode

Before connection, please make sure your gate automation system has open/stop/close terminal.

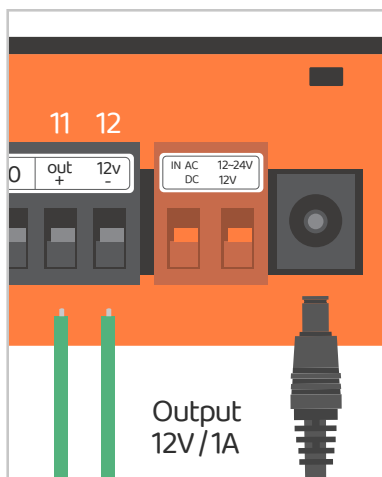
⑦ Is the terminal for a wired limit switch which sends signal to your smartphone when triggered.

**\*\*\*Please refer to the manual of your automation to find the open/stop/close terminal\*\*\***



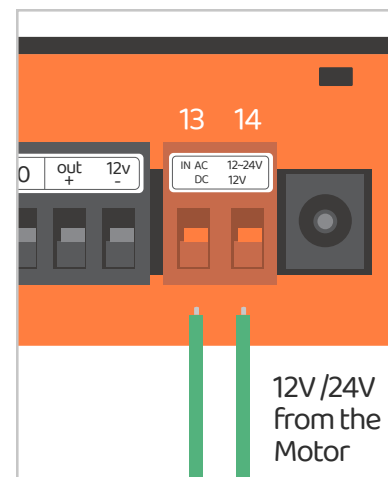
**\*\*\*Please DO NOT connect Power plug and supplying power from the motor at the same time\*\*\***

### Scenario 1



Terminal ⑪ and ⑫ supply 12V/1A when connect to Power plug










### Scenario 2



Terminal ⑬ and ⑭ become 12V/24V input terminals which can take AC or DC power from the motor



## Output terminals

3 Outputs	Outputs #1 (APP-Door1)		Outputs #2 (APP-Door2)		Outputs #3 (APP-Door3)	
ChowHUB terminal	1	2	3	4	5	6
Device terminal	PB/ Push button	GND	PB/ Push button	GND	PB/ Push button	GND
	<b>Default</b> NO Circuit		<b>Default</b> NO Circuit		<b>Default</b> NO Circuit	
APP parameter setting	 Relay1 Mode <b>NO</b>		 Relay 2 Mode <b>NO</b>		 Relay 3 Mode <b>NO</b>	
	 Relay1 Mode <b>NC</b>		 Relay 2 Mode <b>NC</b>		 Relay 3 Mode <b>NC</b>	
	 Relay1 Mode <b>None</b>		 Relay 2 Mode <b>None</b>		 Relay 3 Mode <b>None</b>	

## Input terminals

3 Inputs	Inputs #1		Inputs #2		Inputs #3	
ChowHUB terminals	7	10	8	10	9	10
Wire trigger device	Sensor 1	GND	Sensor 2	GND	Sensor 3	GND
APP parameter setting	Trigger mode 1 (Default) NO circuit NC-NO → OPEN;NC-NO → CLOSE					
	Trigger mode 2 NC circuit NC-NO → OPEN;NC-NO → CLOSE					
	Function OFF					

# Apply for a new Chow account

1. Please scan the QR code and download the Chow! App
2. Press sign up icon and press the agree icon to continue
3. Please type the following information for registration:



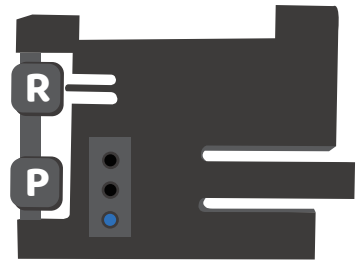
- a. Email (enter twice for verification)
- b. Password (enter twice for verification)
- c. The password should have at least 1 English character and at least 8 characters/numbers in total

4. The system will send a link to your email when the registration succeeds
5. Please go to your email, and click the link to activate your Chow account
6. Please log in to your Chow account



# Connecting the ChowHUB to the Chow! App

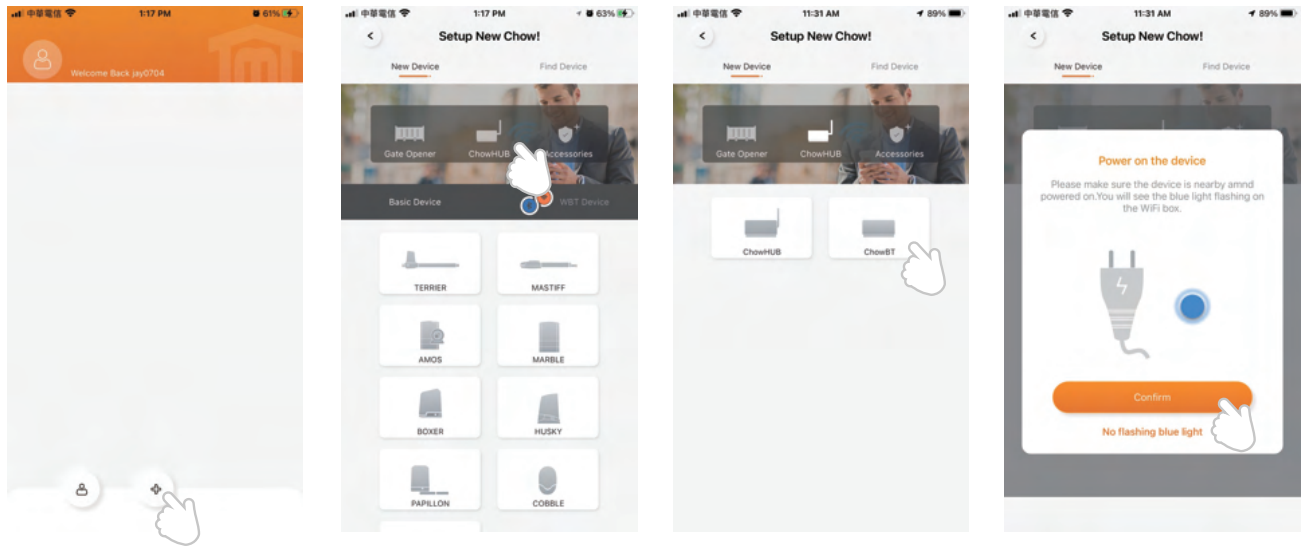
For initial setup, check if the blue indication light is flashing  
**IF not**, please follow below procedures to reset the device.



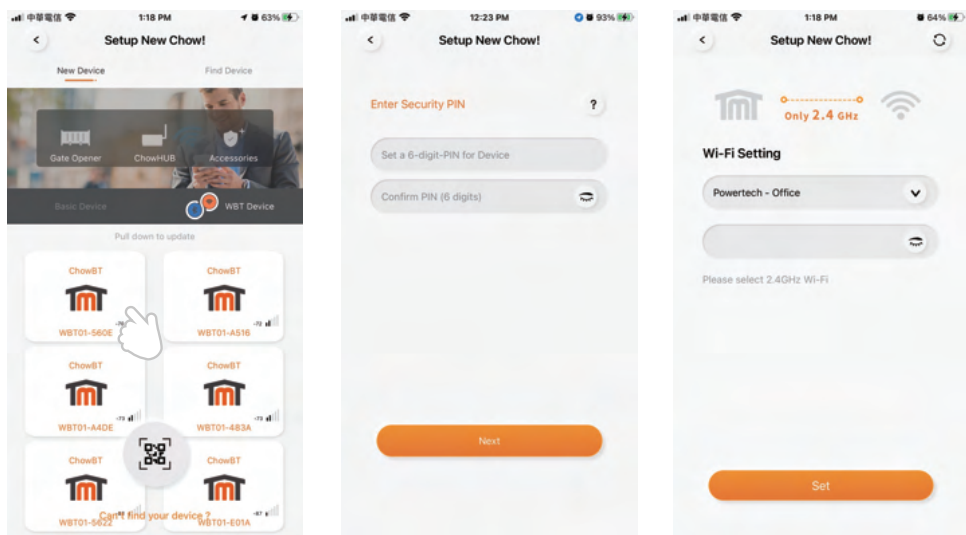
1. Press the **P** button for 5 seconds
2. Press the **R** button once

**\*\*\*Please turn ON the Blue tooth function of your smartphone\*\*\***

1. Tap the (+) icon to add a new device
2. Tap the ChowHUB to add a new device
3. Tap to ChowBT icon
4. Please check if you power the device



5. Please select your device
6. Set a security PIN code by enter the same code twice
7. Entering the correct password of your Wi-Fi
8. Tap the device at the main page to enter the setting page

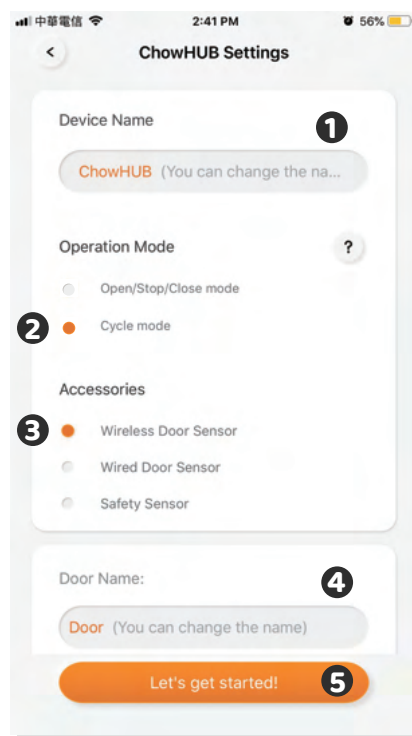


## Setting of Chow!APP cycle mode

1. Fill in the name of the device
2. Select the (cycle mode)
3. Select (wireless door sensor).

**\*\*\* For the connection of wireless limit switch, please refer to Page 11 Wireless door sensor.\*\*\***

4. Select the corresponds door output (Door1 = Output 1)
  - ➡ enter the door name
  - ➡ choose the door type ( different icon)  
Garage door / Swing Gate / Sliding Gate
5. Lets get started !

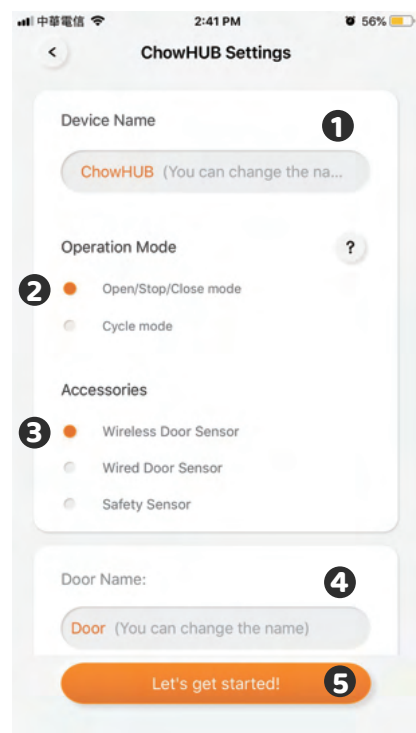


## Setting of Chow!APP open/stop/close mode

1. Fill in the name of the device
2. Select the (open/stop/close mode)
3. Select (wireless door sensor).

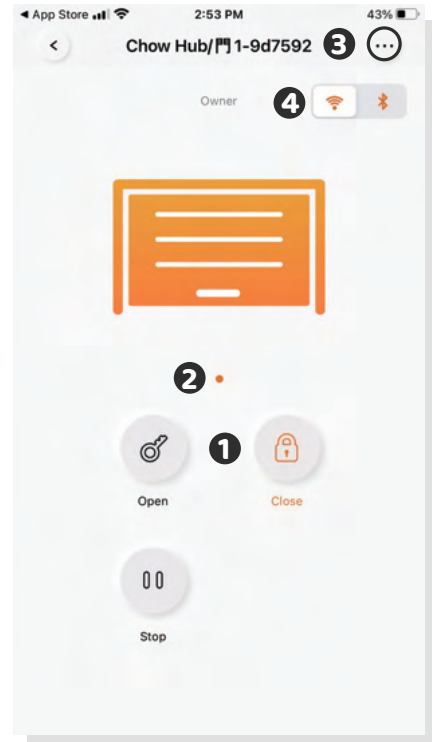
**\*\*\*\*For the connection of wireless door sensor, please refer to Page 11 Wireless door sensor.\*\*\***

4. Enter the door name
  - ➡ choose the door type ( different icon)  
➡ garage door / swing gate / sliding gate
5. Lets get started !
6. Select DC mode as the standard setting
7. Make the correct connection according to the diagram  
Start to use



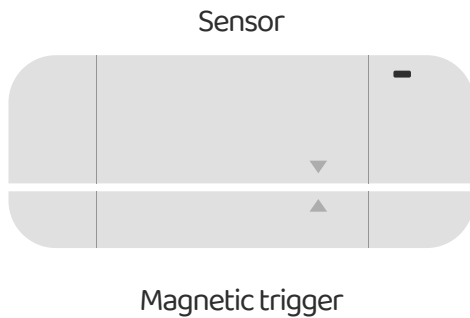
## Operation page

1. Operation button
2. Switching bar for different device
3. Setting page
  - a. Device information
  - b. Edit or add devices
  - c. Available accessories
  - d. Parameter settings
4. Switching button (Wi-Fi/Bluetooth)

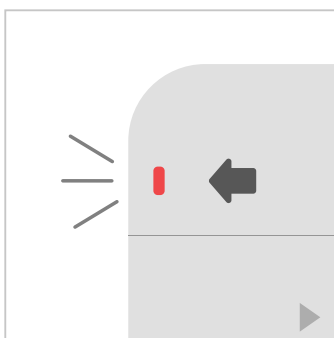


## Wireless door sensor

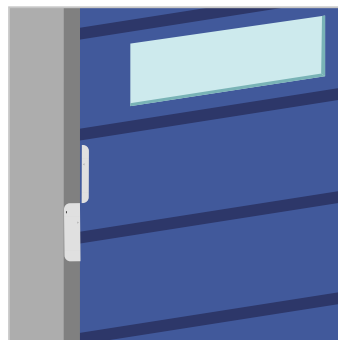
### Door sensor



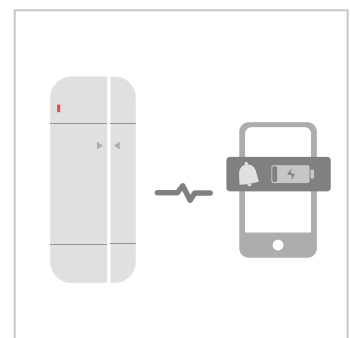
Door sensor consists of a magnetic trigger and a sensor. The Door sensor will send a signal when the gate opener reach the closed position.



**1** Pull out the isolation plate, and the LED will turn ON when the trigger close to the sensor.



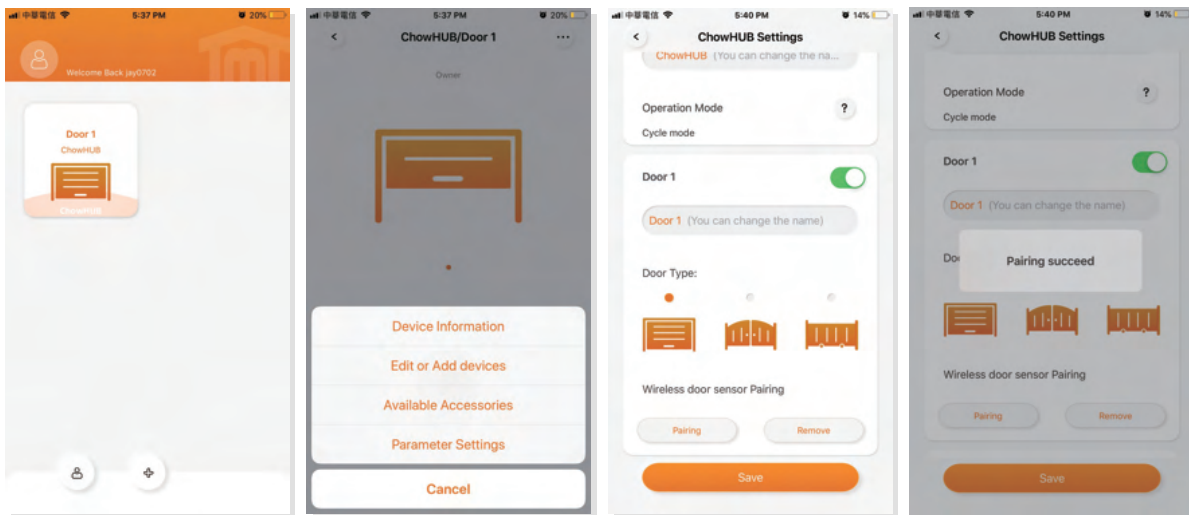
**2** Install the sensor at the door closed position.



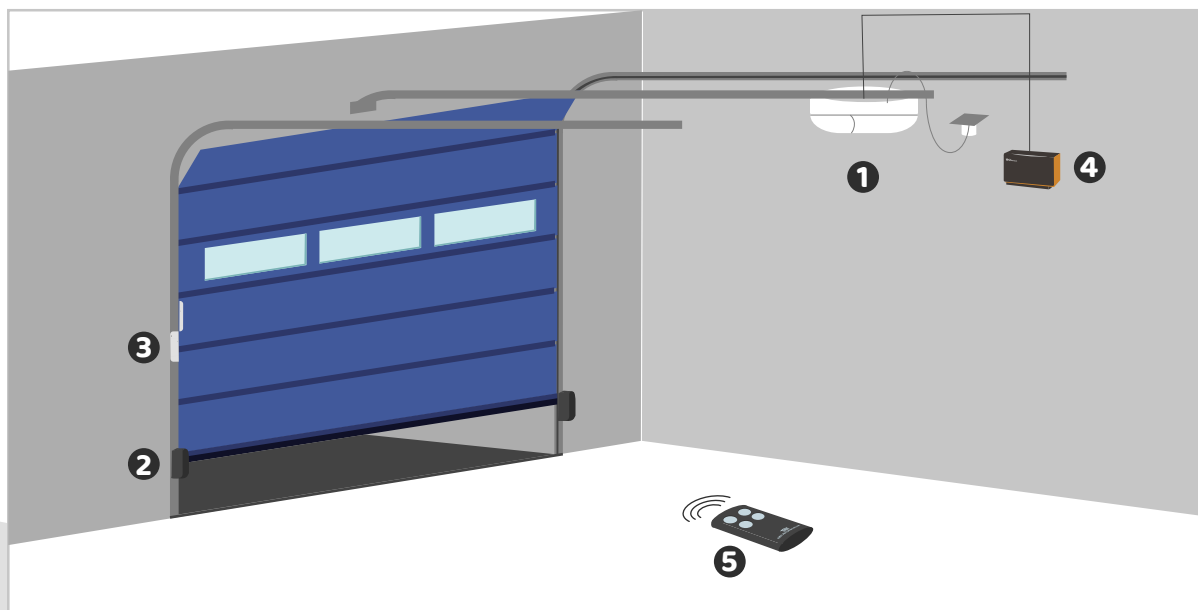
**3** Door sensor will send notification if battery capacity is lower than 20%

## Connect the Door sensor to Chow! APP

1. Tap the ChowHUB icon on the main page ➔ Entering the setting page  
 ➔ Tap the (Edit or Add devices) ➔ Tap the (Pairing)
2. Align the trigger and sensor till the LED on the door sensor is ON.
3. The App shows (Learn Successfully).
4. The door sensor is recommended to be installed at the closed position of the gate or garage door.




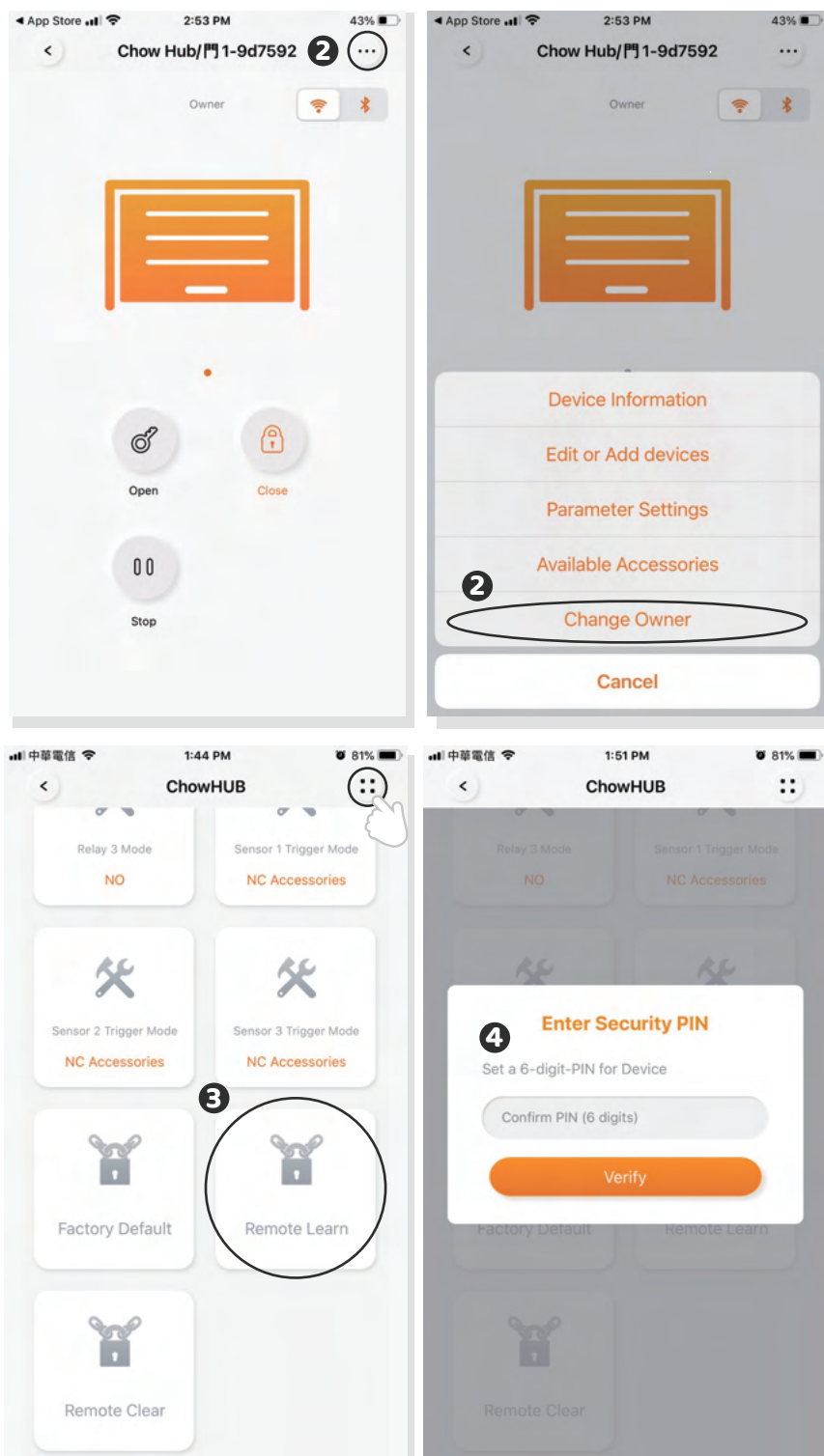
**\*\*\* Please set stopper at the open limit position of the rack and after the setup is completed , then garage door opener can start the system learning process.\*\*\***



- ① Cobble Garage Door Opener
- ② Photocells (Optional accessories)
- ③ Door status sensor
- ④ ChowHUB
- ⑤ Transmitter

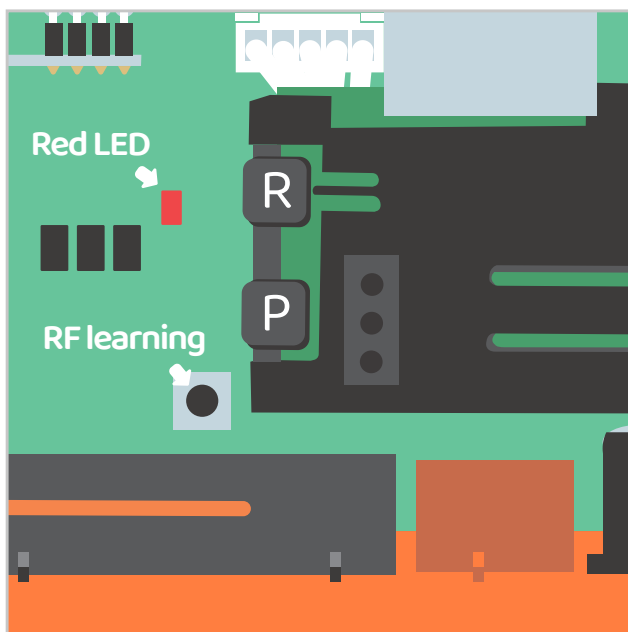
## Pairing remotes

1. Please enter the Chow! App and tap on the ChowHUB icon on the main page
2. Please enter the setting page by tap the  icon
3. Enter the advanced page by enter the PIN code and find the remote learn function
4. Tap the remote learn and enter the PIN code again
5. Start the remote learn by tap the icon and the push notification will show start remote learning
6. Press any button of a remote and the push notification will show pairing success.
7. After 10 seconds, the remote learning mode will end automatically.

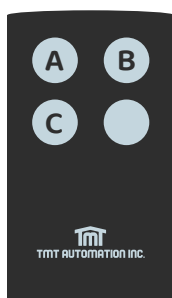


### Pairing remotes with ChowHUB

1. Press the RF learning button for 3 second the red LED will turn **ON**.
2. Press any button of a remote and the red LED will blink.
3. After 10 seconds, the red LED will turn **OFF** and end the remote learning mode.



### Pairing remotes with Chow! App



- A button: Trigger terminal **1 2**
- B button: Trigger terminal **3 4**
- C button: Trigger terminal **5 6**

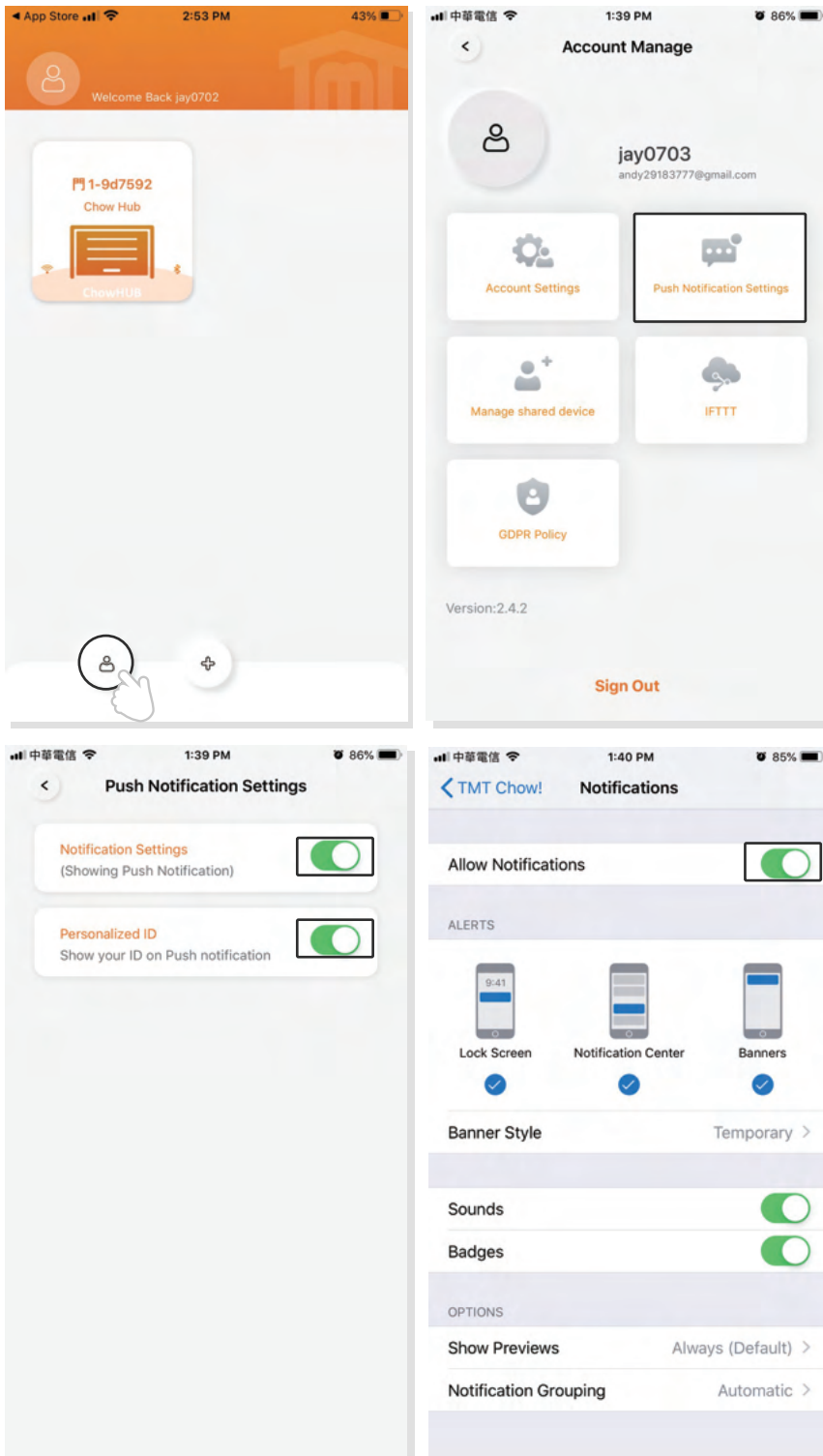


# Account management page

## Push notification

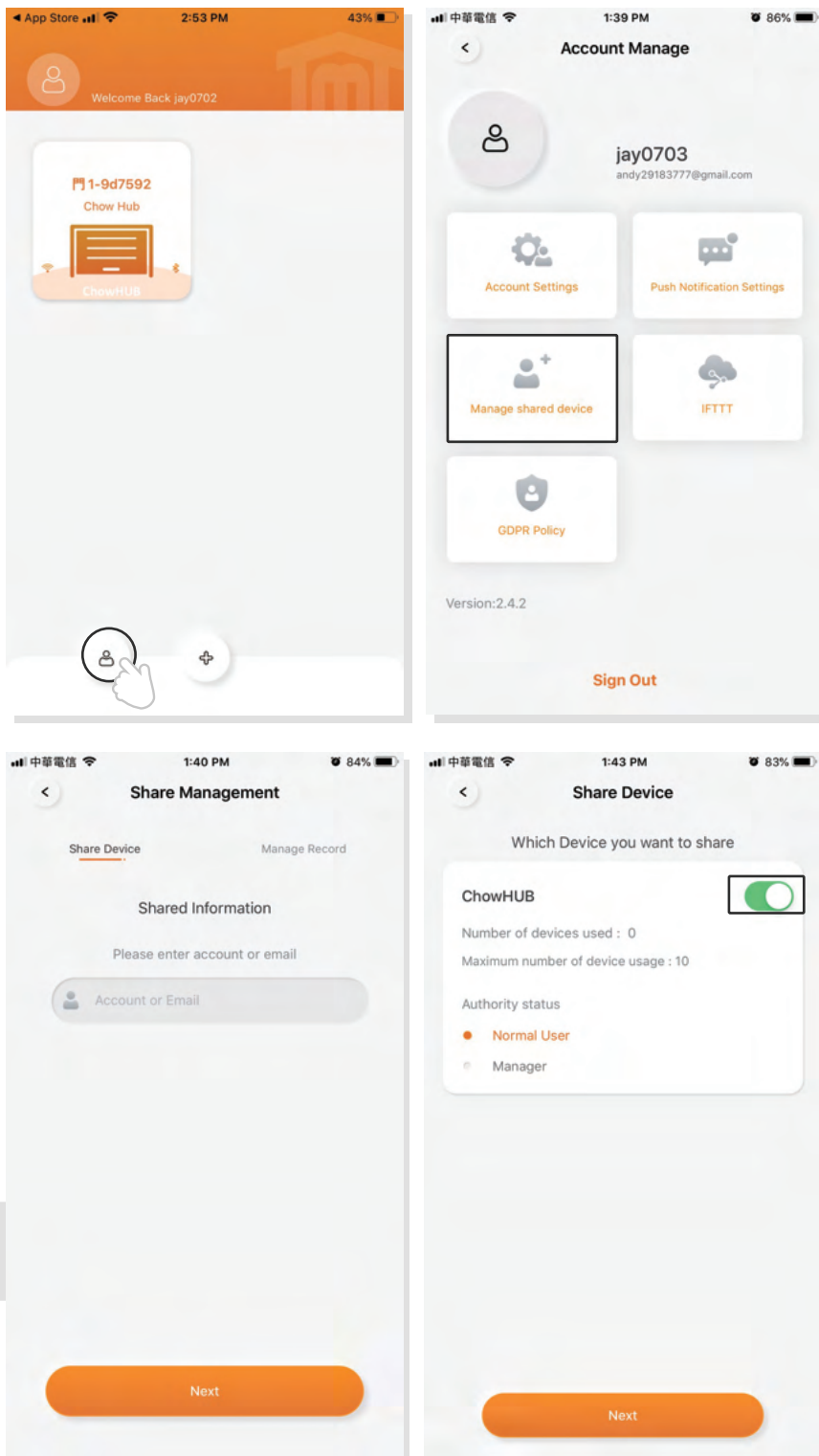
1. Press the icon at the button left to enter the account management page.
2. Tap the push notification setting.
3. Turn **ON** the switches of the notification.

**\*\* Please go to the settings page of your smartphone.  
Find TMT chow and allow the notifications.\*\***



## Owner shares device

1. Press the icon at the button left to enter the account management page.
2. Tap the manage shared device.
3. Enter the account which you are going to share.
4. Choose the device you are going to share and tap next.



# FAQ

## Question 1

The blue LED is **NOT** blinking when the ChowHUB connects to the power plug.

## Answer 1

Press the **P** button and the blue LED will blink.

---

## Question 2

Blue and green LED blinks alternatively when connecting to Chow! App by the first user.

## Answer 2

Entering a wrong password to your Wi-Fi network.

---

## Question 3

Red LED blinks when connecting to Chow! App by the first user.

## Answer 3

The ChowHUB cannot identify the IP from the router.

Please turn off the router, turn on, and then reconnect again. Or please connect to other router.

---

## Question 4

Red LED blinks when Enter the PIN code.

## Answer 4

Entering the wrong PIN code. Please confirm the correct PIN code with the first user.

---

## Question 5

Green LED blinks.

## Answer 5

The Wi-Fi signal is weak. Please adjust the antenna of the ChowHUB or adding an Wi-Fi amplifier to enhance the Wi-Fi signal.



### Question 6

Red LED stays ON.

### Answer 6

Red LED stays ON indicates a system error. Please press the **R** button.

---

### Question 7

Default to factory setting.

### Answer 7

Default to factory setting will be applied when you lose your PIN code for sharing the device. After defaulting, please follow the previous indications to reconnect the ChowHUB to Wi-Fi network.

1. Tap the ChowHUB icon on the main page for 3 seconds and delete the ChowHUB
  2. Open the ChowHUB, press the **P** button for 5 seconds and release it. The Green LED will blink once.
  3. Press the **R** button. When the Blue LED blinks, it means the ChowHUB is successfully defaulted.
- 

### Question 8

Change the PIN code.

### Answer 8

Enter the operation page of the device in Chow! App ➔ Tap the (Device information) in the setting page  
➔ Tap (Pin code Setting) to set a new PIN code

---

### Question 9

Change to another Wi-Fi network.

### Answer 9

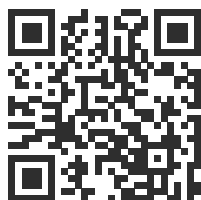
Enter the operation page of the device in Chow! App ➔ Tap the (Device information) in the setting page  
➔ Tap the Wi-Fi icon to change to another Wi-Fi network

# ChowHUB BT + Wi-Fi

## 智慧門控機藍芽無線網路版



### 安裝手冊



**TMT AUTOMATION INC**

# 索引

<b>A. 安裝前注意事項</b> .....	<b>1</b>
<b>B. 產品內容</b> .....	<b>1</b>
B1. 產品敘述 .....	1
B2. 包裝內容 .....	2
B2. 產品規格 .....	2
<b>C. 安裝方式</b> .....	<b>3</b>
C1. 接線方式 .....	3-5
C2. APP連線方式 .....	6-7
C3. 硬體安裝說明 .....	8
C4. 遙控器配對 .....	9
<b>D. 故障排除</b> .....	<b>10</b>

## A. 安裝前注意事項

注意：

安裝之前請詳閱使用說明書。TMT Automation Inc.對不正確的安裝及不恰當的使用概不負責。請完整保留智慧門控機(藍牙無線網路版)包裝及零件，以供諮詢保固維修時使用。

安裝智慧門控機(藍牙無線網路版)之前，請先檢查大門馬達是否正常運作。

**\*\*確認大門馬達可正常運作後，安裝前請先關閉大門馬達電源。\*\***

除非本使用手冊中提到，否則請勿對門控機任何組件進行任何修改。

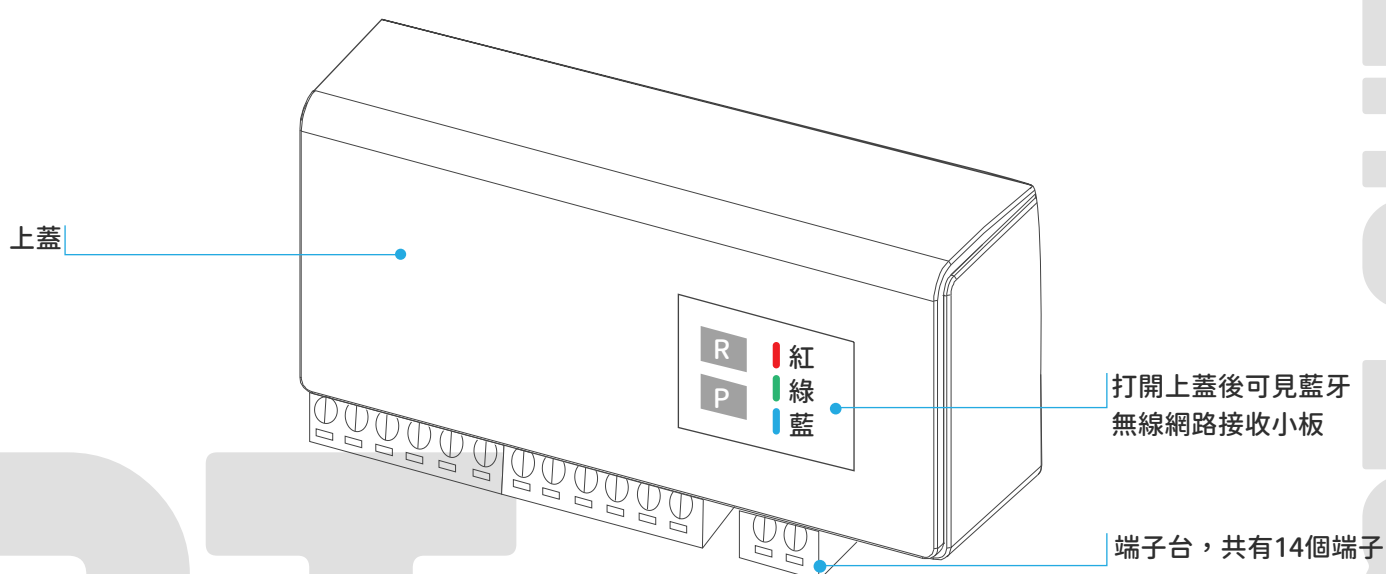
未在成人監護下，建議不要讓兒童使用智慧門控機(藍牙無線網路版)和Chow!APP操作時請確保沒有障礙物阻礙大門運行，以確保人及財物安全。

## B. 產品內容

### B1. 產品敘述

透過智慧門控機(藍牙無線網路版)可用Chow! APP透過無線網路操控大門開關，讓使用者實現智能家居生活。智慧門控機附設10個使用者權限，最高權限使用者(第一個新增門控機的使用者)可透過Chow! APP分享使用權限。

### 智慧門控機介紹

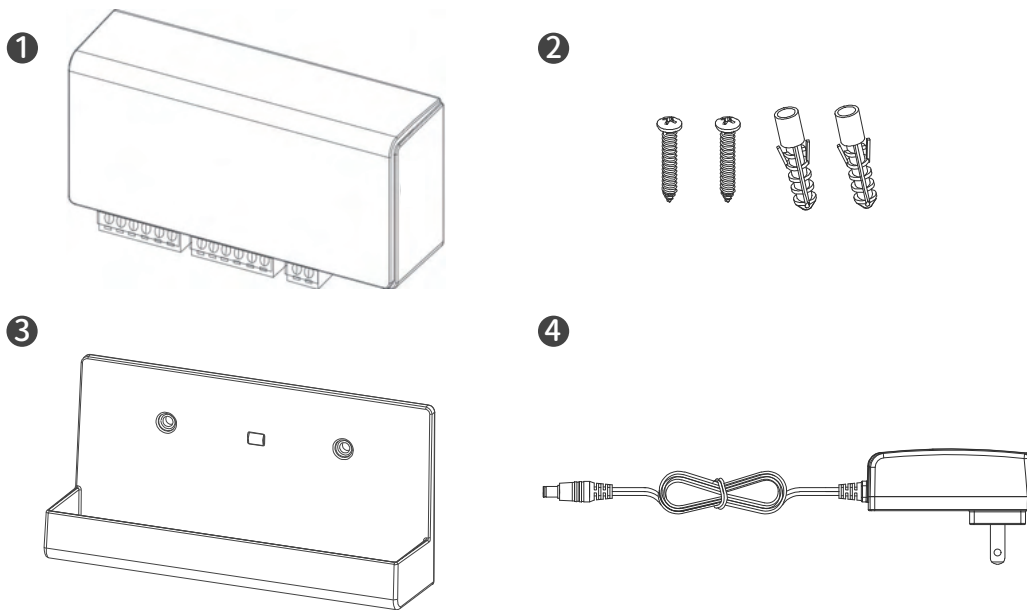




## B2. 包裝內容

註：智慧門控機(藍牙無線網路版)後方有Qrcode貼紙，掃描後即可得到UID

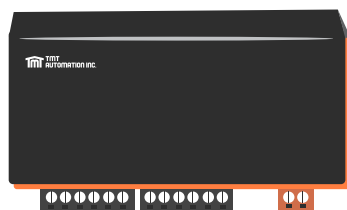
- ① 智慧門控機(藍牙無線網路版) ② 爆炸螺絲 ③ 支架 ④ 電源線



## B3. 產品規格

頻率	433Mhz and Bluetooth
工作溫度	-20 ~ 70 °C
尺寸	56x110x35mm

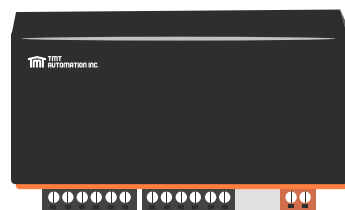
情境一



連接適配器時，端點11/12  
可供12V/1A電



情境二

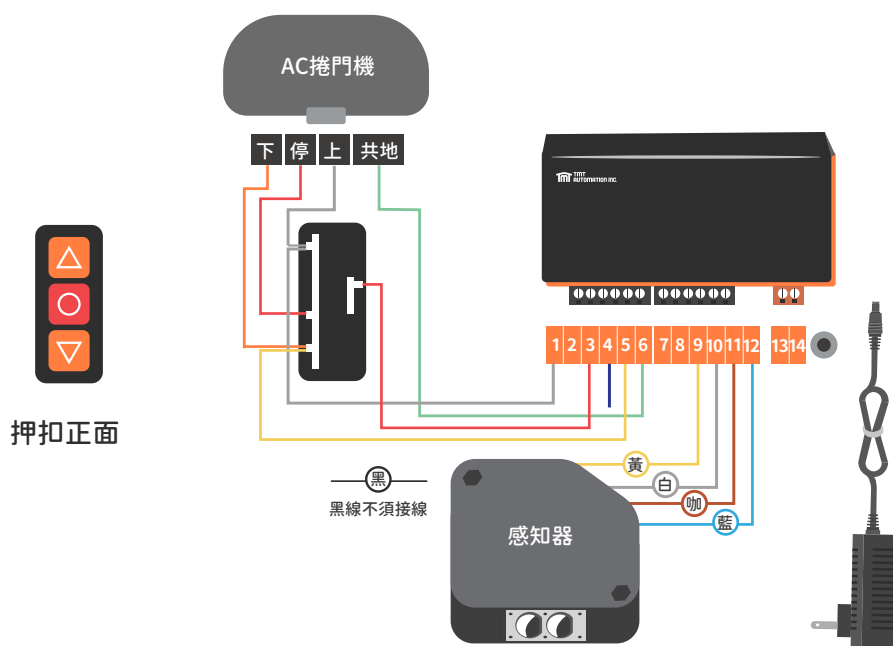


未連接適配器時，端點13/14接收  
12-24V ; AC/DC電源

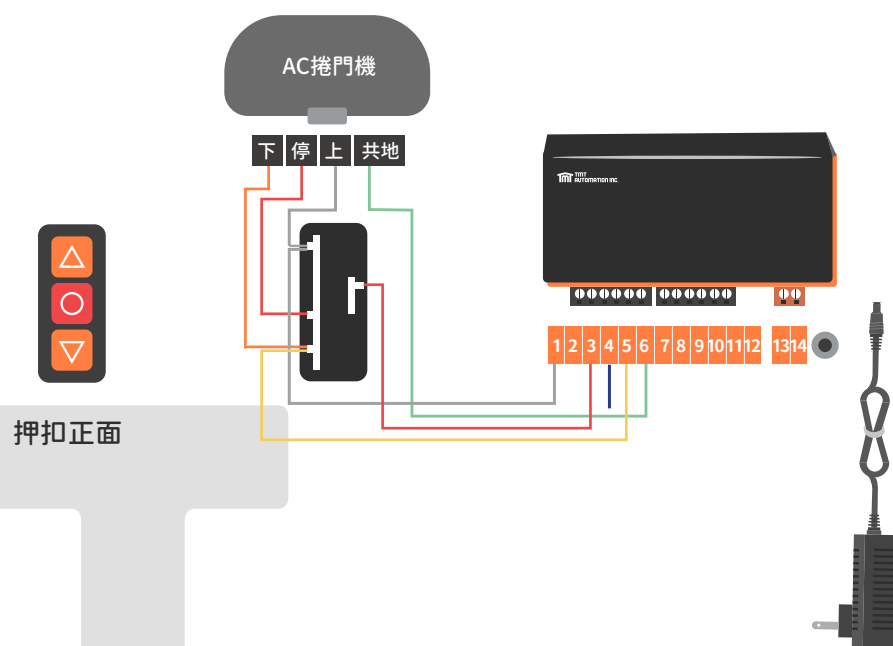
## C. 安裝方式

### C1. 接線方式

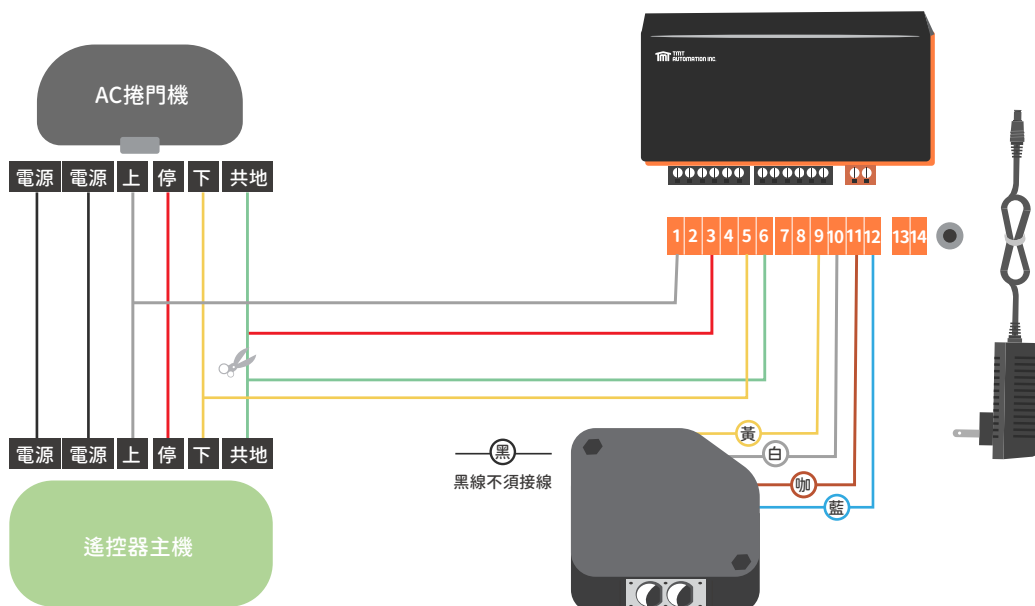
#### 連接押扣開關+紅外線感知器



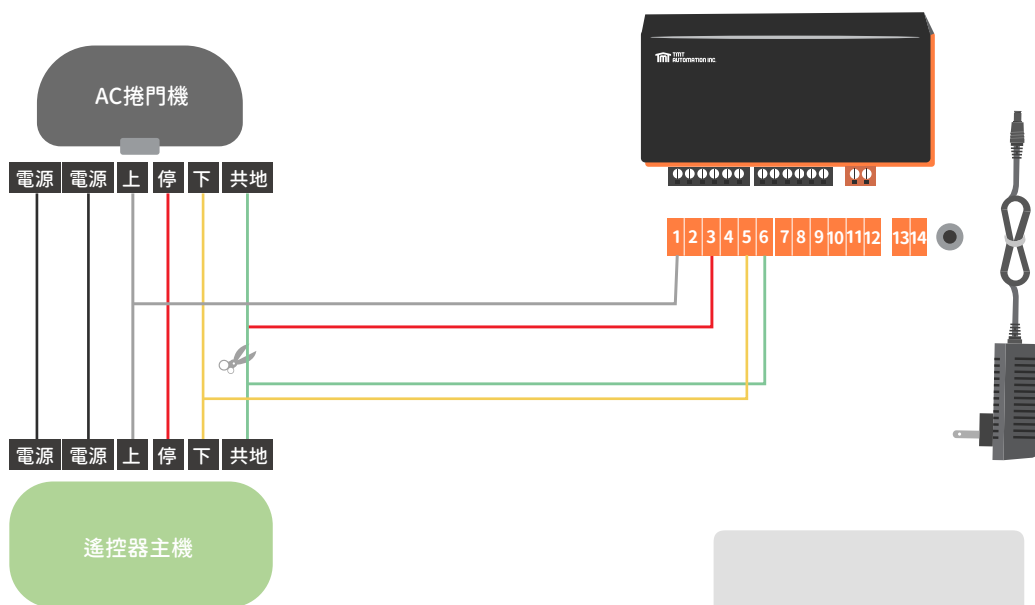
#### 連接押扣開關



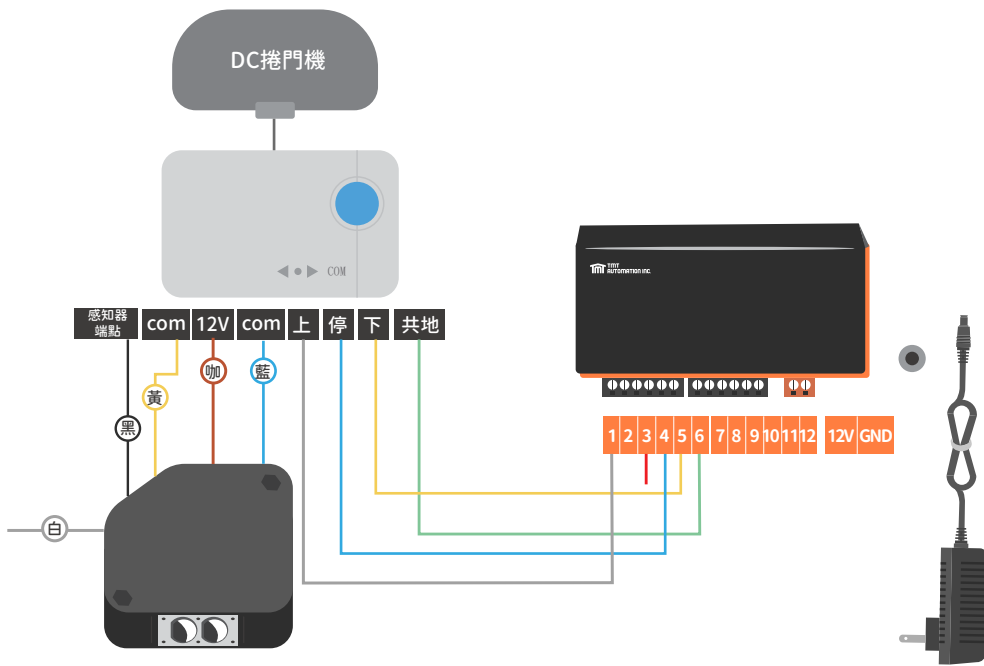
## 連接遙控器主機+紅外線感知器



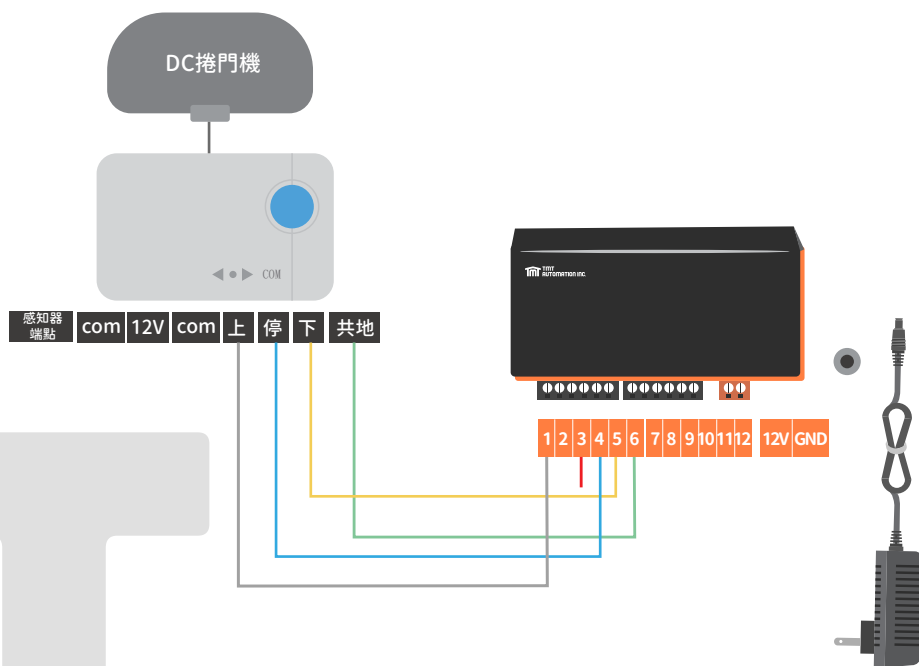
## 連接遙控器主機



### 連接電控盒+紅外線感知器



### 連接電控盒



## C2. App連線設定

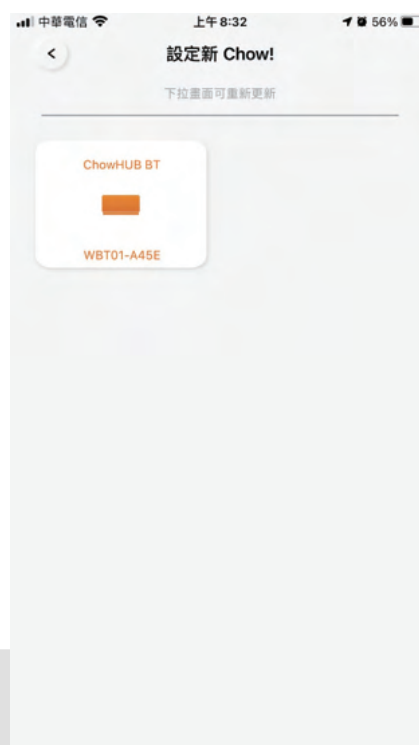
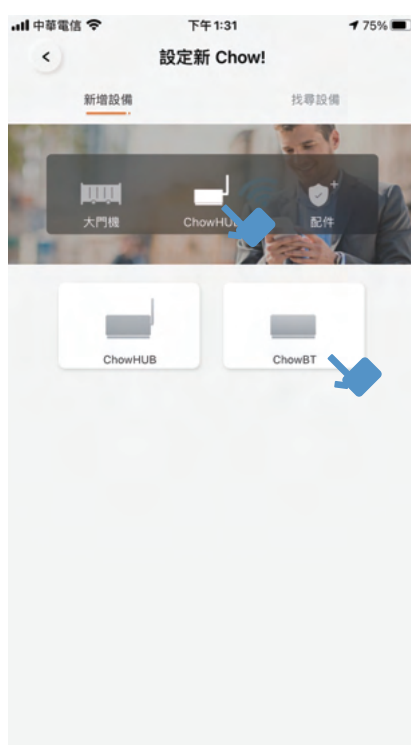
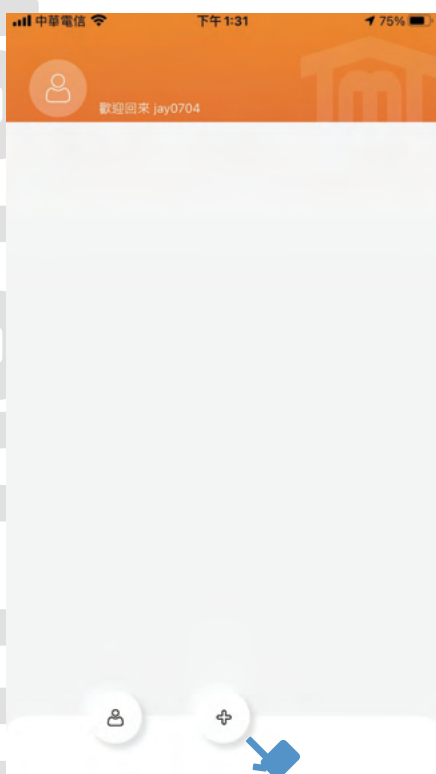
請掃描下方QRcode 並下載Chow! App  
初次連線時，設備請先還原原廠設定



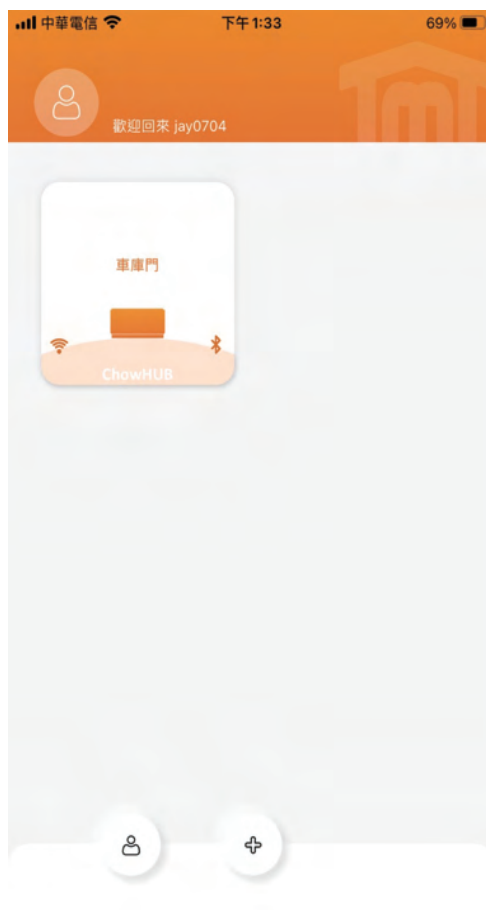
1. 按(P)鍵5秒後放開
2. 按(R)鍵一下重啟系統，重啟後藍燈閃爍
3. 執行智慧門控機(藍牙版)首次連線到Chow! App

### 智慧門控機(藍牙版)首次連線到Chow! App

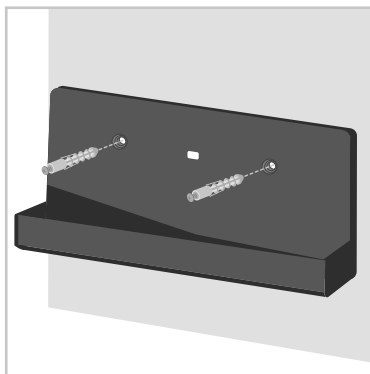
1. 請打開智慧型手機之藍牙功能
2. 若無Chow! App帳號請先申請帳號，並到信箱中點擊信件中連結以啟動帳號
3. 點擊主畫面(+)以新增智慧門控機
4. 點擊ChowHUB圖示
5. 點擊ChowHUB BT圖示
6. 點擊設定新Chow!中的ChowHUB BT



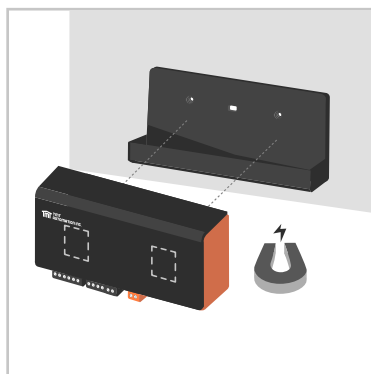
7. 請設定六位數安全PIN碼，並請牢記此組PIN碼以做日後設定認證時使用
8. 請選擇WiFi網路，並輸入正確的WiFi密碼
9. 按下設定後系統開始連線
10. 設定完成後設備出現在主畫面
11. 點擊設備圖示可進入操作頁面



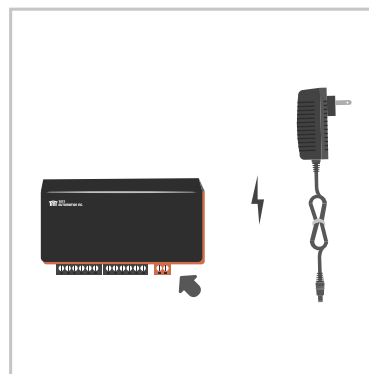
### C3. 硬體安裝說明



- 1 利用支架來測量爆炸螺絲的鑽孔位置。  
使用爆炸螺絲將支架固定在牆上。



- 2 智慧門控機(藍牙版)後方有磁鐵，  
可直接吸附在支架上。

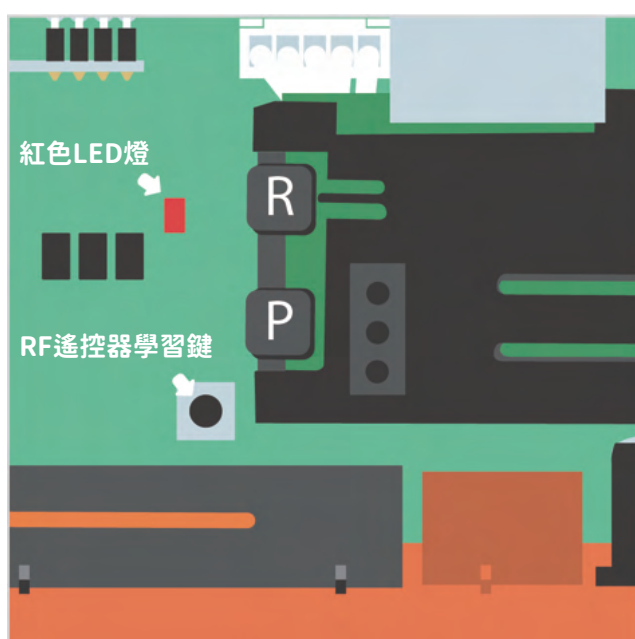


- 3 將電源線接上智慧門控機(藍牙版)，  
並插上插座(110V/220V通用)，  
接上後智慧門控機(藍牙版)藍色LED  
閃爍代表智慧門控機進入配對模式。

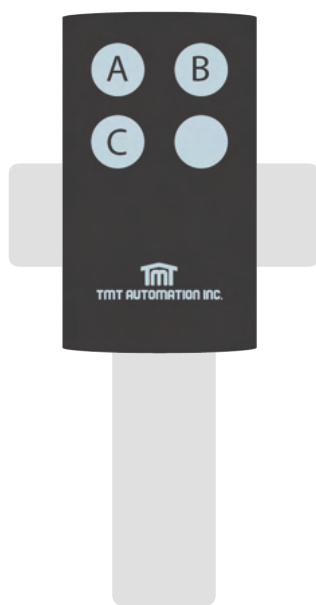
## C4. 遙控器配對

配對遙控器- 透過門控機上RF按鈕學習

1. 長按門控機的RF按鈕3秒，直到紅色LED亮起
2. 按下遙控器任意按鈕，並確認遙控器上LED燈亮起，等待門控機的RF按鈕紅色LED閃爍
3. 等待10秒直到紅色LED熄滅，即完成遙控器配對



配對後遙控器邏輯



- A鍵: 控制繼電器1-門控機端點(1)(2) -開
- B鍵: 控制繼電器2-門控機端點(3)(4) -停
- C鍵: 控制繼電器3-門控機端點(5)(6) -關



## D.故障排除

**問題1** 智慧門控機接上電源後藍色LED沒有閃爍：

按(P)鍵五秒後放開，按(R)鍵一下重啟系統，重啟後藍燈閃爍

**問題2** 如何還原出廠狀態：

回到原廠設定

Chow! App主畫面中長按設備圖示並刪除設備

按(P)鍵五秒後放開

按(R)鍵一下重啟系統，重啟後藍燈閃爍

執行智慧門控機首次連線到Chow! App

**問題3** 忘記PIN碼：

請參考問題2做還原出廠設定，並在重新連線時設定新PIN碼

**問題4** 各燈號說明

WBT01

狀態	藍燈(BT)	紅燈(異常)
1.關機	滅	滅
2.UID錯誤	滅	快閃
3.出廠狀態(藍牙可被搜尋)	快閃	滅
4.連線解密失敗	快閃	快閃
5.開機中	恆亮	滅
7.藍牙近端控制中	快閃	X

nt

TMT AUTOMATION INC