

CHAMBERLAIN®  
**merlin**  
 more than magic



Award finalist for  
 the 2009 Australian  
 International Design  
 Awards

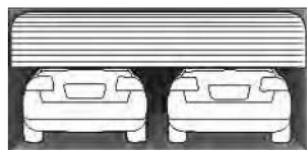


## MR850

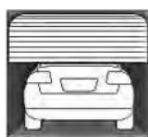
### The Premium DC Slimline Roller Door Opener

Designed in Australia and nominated for an Australian International Design Award. This is more than just another roller door opener. Suitable for doors up to 16.5m<sup>2</sup> with optional battery backup, integrated monitored output for home automation and energy-saving LED lighting. This opener is ideal for large single or double residential roller doors.

### DOOR TYPES: for residential rolling garage doors up to 16.5m<sup>2</sup>



Double Roller



Single Roller

### KEY BENEFITS:

#### Soft Start/Stop Function

The MR850 is equipped with Chamberlain Soft Start/Stop technology, designed to ensure smooth and quiet door operation.

#### Alarm Status Output

Now home security systems can monitor intrusions via unauthorised activation of the garage door opener. The MR850 has a status output which lets the alarm panel know if the door is opened or closed. If the opener is activated and the house is still armed, the alarm will activate just like opening another access point.

#### Auto-close

Automatically closes door after a pre-determined delay time. Requires installation of IR Beams - optional extra.

#### Battery Backup

The quick-connect socket makes this job so easy. One simple plug connection next to the manual release handle is all you need to do.

#### Automatic Solenoid Lock (optional)

The MR850 has built-in ability to control an add-on Chamberlain locking system. This locking system unlatches before the door moves and re-engages when the door is fully closed.

#### Courtesy lighting

Ultra-bright LED lighting illuminates your garage when the opener is activated.

### Standard Merlin safety features

#### Automatic Safety Reverse

With its automatic safety function your garage door will stop and reverse automatically if obstructed going down or stop if obstructed going up. Your door can also be stopped and locked at any height for ventilation.

#### Automatic Force Sensing

Equipped with automatic force sensing, with each operation the garage door opener monitors and adjusts the force needed to open your garage door.

#### Manual Release

In case of power failure you can simply activate the manual release to open your garage door.

#### Warranty

The MR850 comes with a two year general warranty and a five year warranty on the motor. Unlimited operations for domestic use applications.

### KIT CONTENTS:



1 x Powerhead



2 x Three channel key  
 ring mini- transmitters  
 C945



Wireless wall  
 button CM128



1 x Weight bar

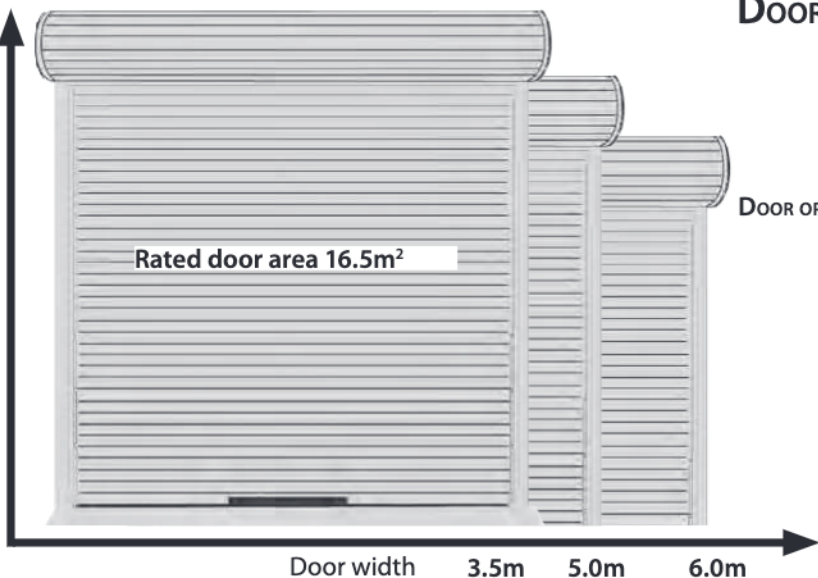
### SPECIFICATIONS:

- 24V DC motor with thermal overload protection
- Input voltage: 240V AC
- Rated door area 16.5m<sup>2</sup>
- Maximum door height 4.5m
- Pulling force: 550N
- Minimum side room 45mm
- 433.92 MHz AM radio with Chamberlain Peak Detect™ rolling code technology
- Up to 64 memory registers
- Garage illumination: 12 premium ultra-bright LEDs



Door height

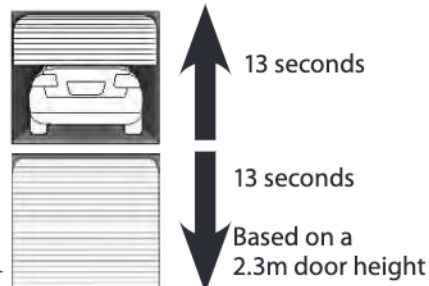
4.5m  
3.0m  
2.3m



**DOOR SPECIFICATIONS:**

- Maximum lifting under spring tension - 20 Kgs
- Suitable for steel spring balanced doors only.

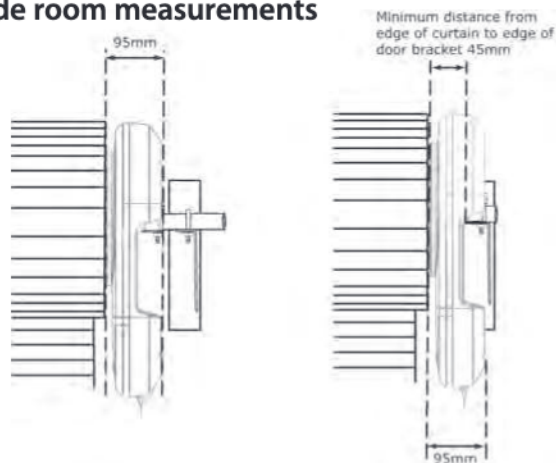
**DOOR OPENING AND CLOSING TIMES**



**TYPICAL INSTALLATION**



**Side room measurements**



**OPTIONAL ACCESSORIES**



Motion detecting control panel. **C198**



Wall or visor-mounted single channel transmitter. **C940**



4 channel mini-transmitter. **CM844**



Fingerprint keyless entry pad. **C379**



Wireless Keypad. **C840**



Battery backup unit with quick connect socket **CM475**



Auto locking system **SRDLK01**



Protector System safety beam sensors. **C77**

**...more than magic**

Merlin is one of a group of brand names owned and managed by the Chamberlain Group, the world's largest manufacturer of garage door openers.

As a manufacturer of some of the world's most reliable and efficient products in our market, we are determined to build on our reputation as the industry leader by exceeding our customer's expectations, providing exceptional products and services.

Our preoccupation with quality not only applies to manufacturing. We insist on high performance standards in every aspect of our business, placing quality at the forefront of everything we do in the understanding that each of us is accountable for ensuring we achieve our quality objectives.

**CHAMBERLAIN®**

*The Spirit of Automation*

Chamberlain ANZ

Australia: T: 1800 638 234 F: 1800 888 121

New Zealand: T: 0800 653 667 F: 0800 653 663

E: sales@chamberlainanz.com

W: chamberlainanz.com

© 2010 The Chamberlain Group, Inc.

M0210R001

Specifications are subject to change without prior notice.

