



HAND WINDER KIT 5:1 RATIO INSTALLATION INSTRUCTIONS

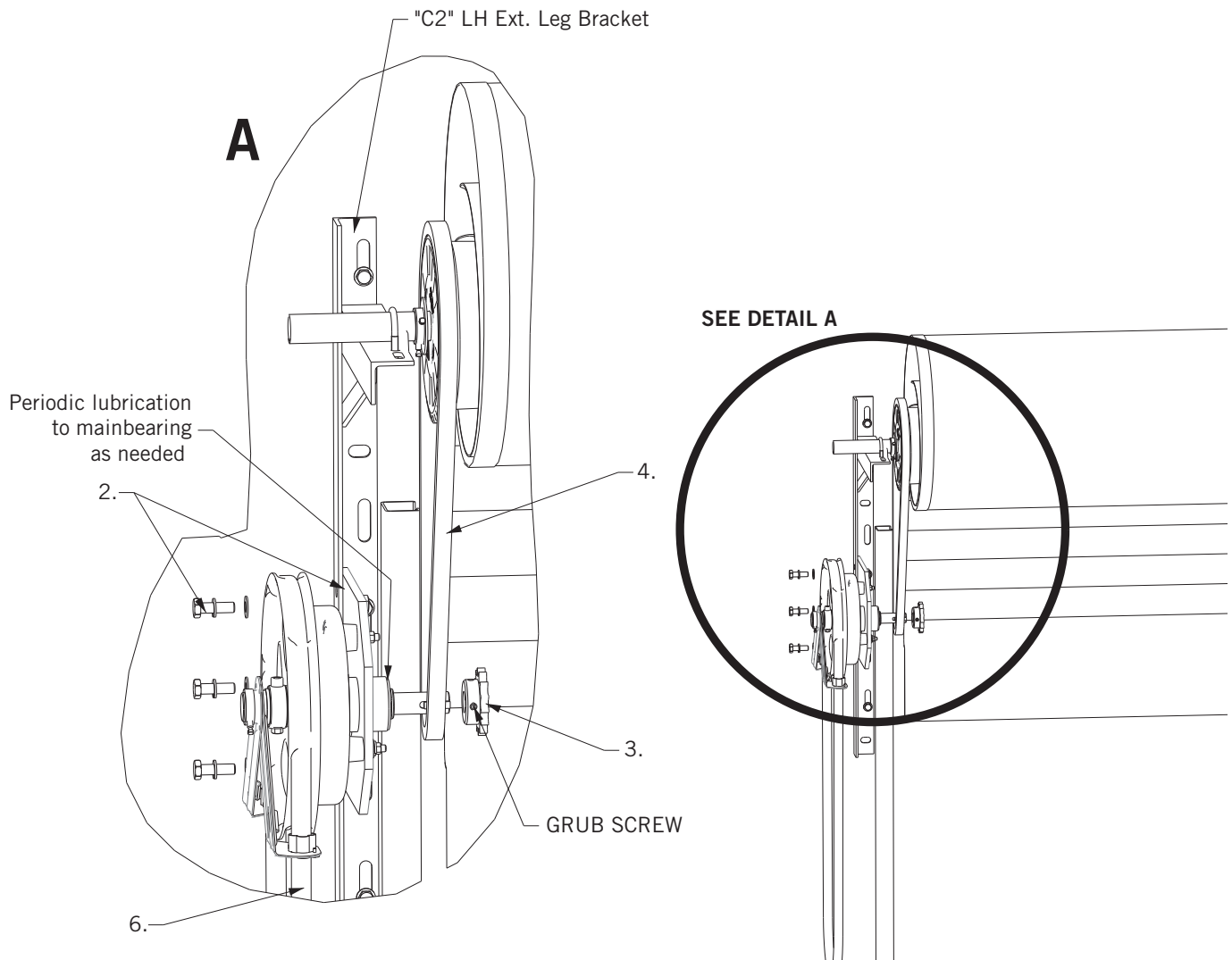
Part No. 62691

NOTE

Must be installed with C2 Ext. Leg Bracket (not supplied).
Part No. 00600 Bracket "C2" LH Ext. Leg Plated.
Part No. 00601 Bracket "C2" RH Ext. Leg Plated.

INSTALLATION STEPS

1. Position door for clear access to the end of the axle and drum.
2. Mount main plate onto wall bracket with M12 bolts, nuts, spring washers and plain washers.
3. Slide steel sprocket onto shaft, align with the above sprocket tighten with grub screw.
4. Attach and link 10B steel chain around sprockets semi tight and adjust handwinder position by releasing the correspondent nuts so that all parts rotate freely in operation.
5. Check tension of 10B steel chain over its full rotation and if necessary realign plastic sprocket concentric to the drum axle.
6. Attach chain link handwinder and periodically lubricate main shaft/bearing (only) as required.



DISCLAIMER

*THESE INSTRUCTIONS ARE INTENDED FOR PROFESSIONAL GARAGE DOOR INSTALLERS
and only apply to the fittings*

Note: All references are taken from inside looking out

