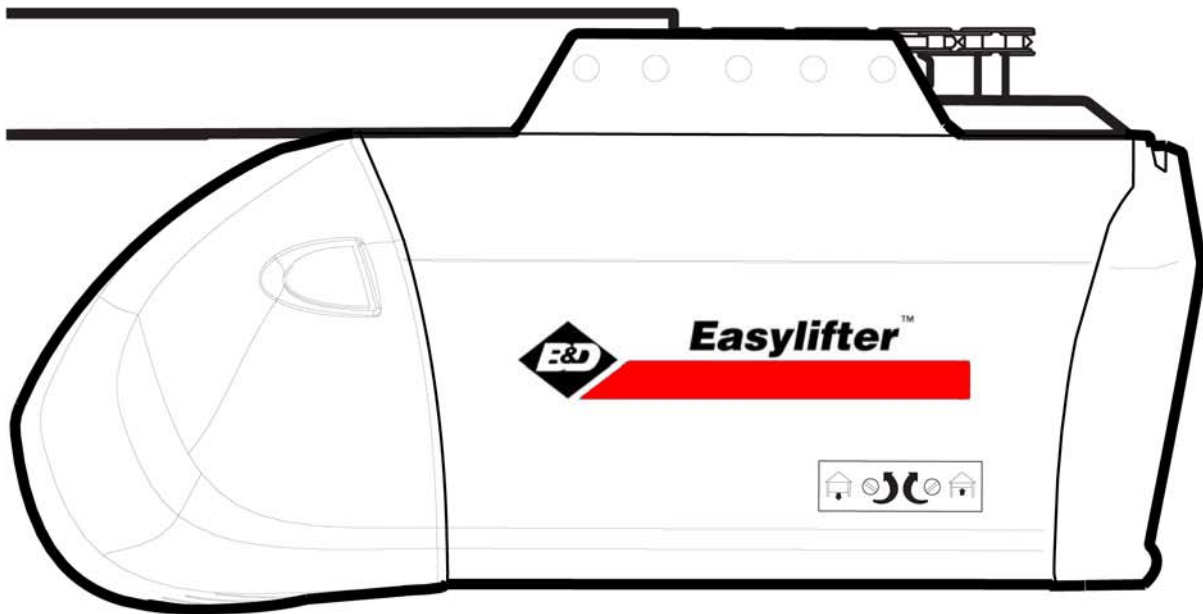




Easylifter™

INSTRUCTIONS



with 433MHz Radio Controls

B&D Doors & Openers

17 Oasis Court
Clontarf, QLD 401
(07) 3883 0200

The B+D Easylifter Automatic
Garage Door Opener has
been tested and complies with
the standards:
AS/NZS 3350.2.95:2000 (incl.
Amdt1) & AS/NZS CISPR
14.1:2003



N1134

B&D DOORS NEW ZEALAND

70 Allens Rd, East Tamaki
Auckland NZ **p (09) 273 8600**
From within New Zealand phone our
toll free hotline on **0800 427 236**

B&D DOORS AUSTRALIA

17 Oasis Ct, Clontarf QLD 4019
p (07) 3883 0200
For service and advice phone our
toll free hotline on **1800 636 407**

TABLE OF CONTENTS

Introduction	2-7	Adjustment Section	25-27
Safety rule review.....	2	Adjust the travel limits	25
Preparing your garage door	3	Adjust the force	26
Tools needed	3	Test the safety reverse system	27
Planning	4-5	Testing the safety infra-red safety sensors	27
Carton inventory	6	Operation	28-30
Hardware inventory	7	Operation safety instructions.....	28
Assembly	8-10	Using your garage door opener	28
Assemble the rail & attach the chain pulley bracket ...	8	To open the door manually.....	29
Install the trolley	9	Care of your opener	29
Fasten rail to motor unit	9	Troubleshooting.....	30
Install chain & attach chain spreader.....	9-10	Programming	31
Install the chain noise reduction pads.....	10	To code a hand-held remote control	31
Installation	11-24	To erase all codes	31
Installation safety instructions.....	11	Multi-function remotes	31
Determine the header bracket location.....	12-13	Warranty	32
Install the header bracket.....	14		
Attach the rail to the header bracket.....	15		
Position the opener	15-16		
Hang the opener	16-17		
Install the door control.....	17		
Install the remote control wall mount (optional)	17		
Wiring instructions for optional accessories.....	18		
Install the light globe	19		
Attach the emergency release rope and handle	19		
Connect electric power.....	19		
Installing the safety infra-red safety sensors.....	20		
Fasten the door bracket.....	21-22		
Connect door arm to trolley	23-24		

INTRODUCTION

Safety Rule Review

This garage door opener is designed and tested to offer safe service provided it is installed, operated, maintained and tested in strict accordance with the warnings, safety instructions and instructions contained in this manual.

 **WARNING**

Mechanical

 **WARNING**

Electrical

CAUTION

When you see these Safety Symbols and Signal Words on the following pages, they will alert you to the possibility of **serious injury or death** if you do not comply with the corresponding instructions. The hazard may come from something mechanical or from electric shock. Read the instructions carefully.

When you see this Signal Word on the following pages it will alert you to the possibility of damage to your garage door and/or the garage door opener if you do not comply with the corresponding instructions. Read them carefully.

Preparing your garage door

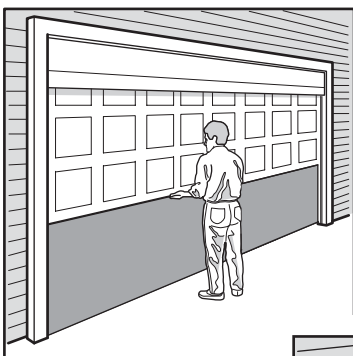
- Disable locks. Insert wood screws or nails to keep them unlocked.
- Remove any ropes connected to garage door.

TESTING YOUR DOOR

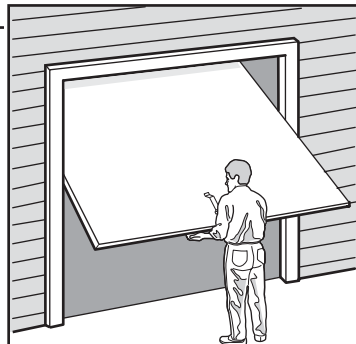
Before you begin, complete the following test to make sure your door is balanced and is not sticking or binding:

- Lift the door about halfway as shown. Release the door. It should stay in place, supported entirely by its springs.
- Raise and lower the door to see if there is any binding or sticking.

If your door binds, sticks, or is out of balance, call for professional garage door service.



Sectional Door



One-Piece Door

⚠ WARNING

To prevent possible SERIOUS INJURY OR DEATH:

- Always call for professional B&D garage door service if garage door binds, sticks, or is out of balance. An unbalanced garage door might not reverse when required.
- NEVER try to loosen, move, or adjust garage door, door springs, cables, pulleys, brackets or their hardware, all of which are under EXTREME tension.
- Disable ALL locks and remove all ropes connected to garage door before installing and operating garage door opener to avoid entanglement.
- This unit should not be installed in a damp or wet space.
- The door must not extend over public byway during operation.
- This product is provided with a power supply cord of special design which, if damaged, must be replaced by a power supply cord of the same type; such a power supply cord may be obtained from you local B&D distributor and must be fitted by a specialist.

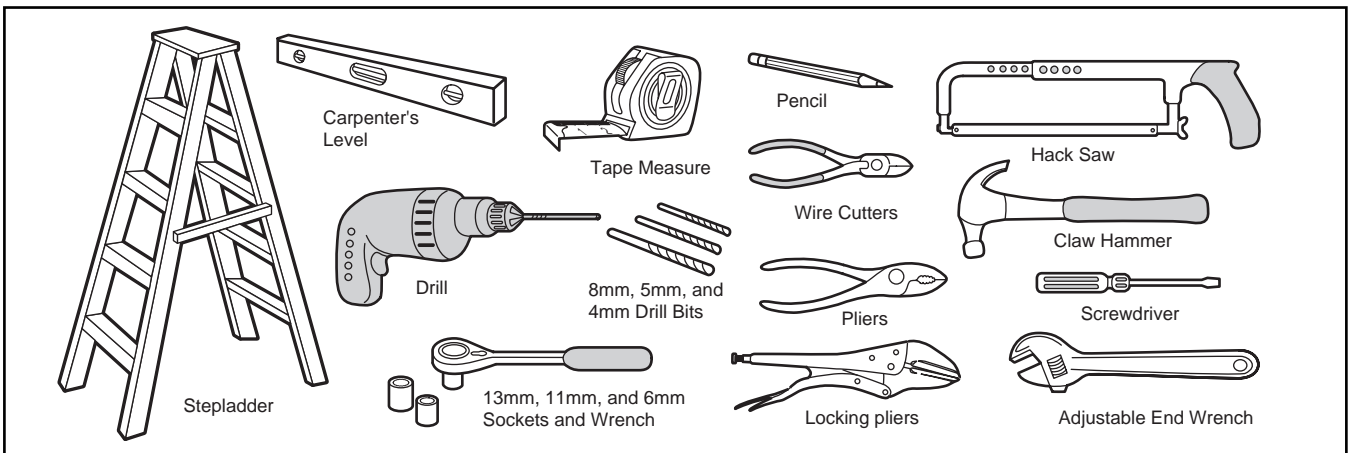
CAUTION

To avoid damage to the garage door and opener, disable locks before installing and operating the opener. Use a wood screw or nail to hold locks in the "open" (unlocked) position.

Operation at other than 230V/50 Hz will cause opener malfunction and damage.

Tools needed

During assembly, installation and adjustment of the opener, instructions will call for hand tools as illustrated.



Planning

Identify the type and height of your garage door. Survey your garage area to see if any of the conditions below apply to your installation. Additional materials may be required. You may find it helpful to refer back to this page and the accompanying illustrations as you proceed with the installation of your opener.

Depending on your requirements, there are several installation steps which may call for materials and/or hardware not included in the carton.

- Installation Step 1 – Look at the wall or ceiling above the garage door. The header bracket must be securely fastened to structural supports.
- Installation Step 5 – Do you have a finished ceiling in your garage? If so, a support bracket and additional fastening hardware may be required.

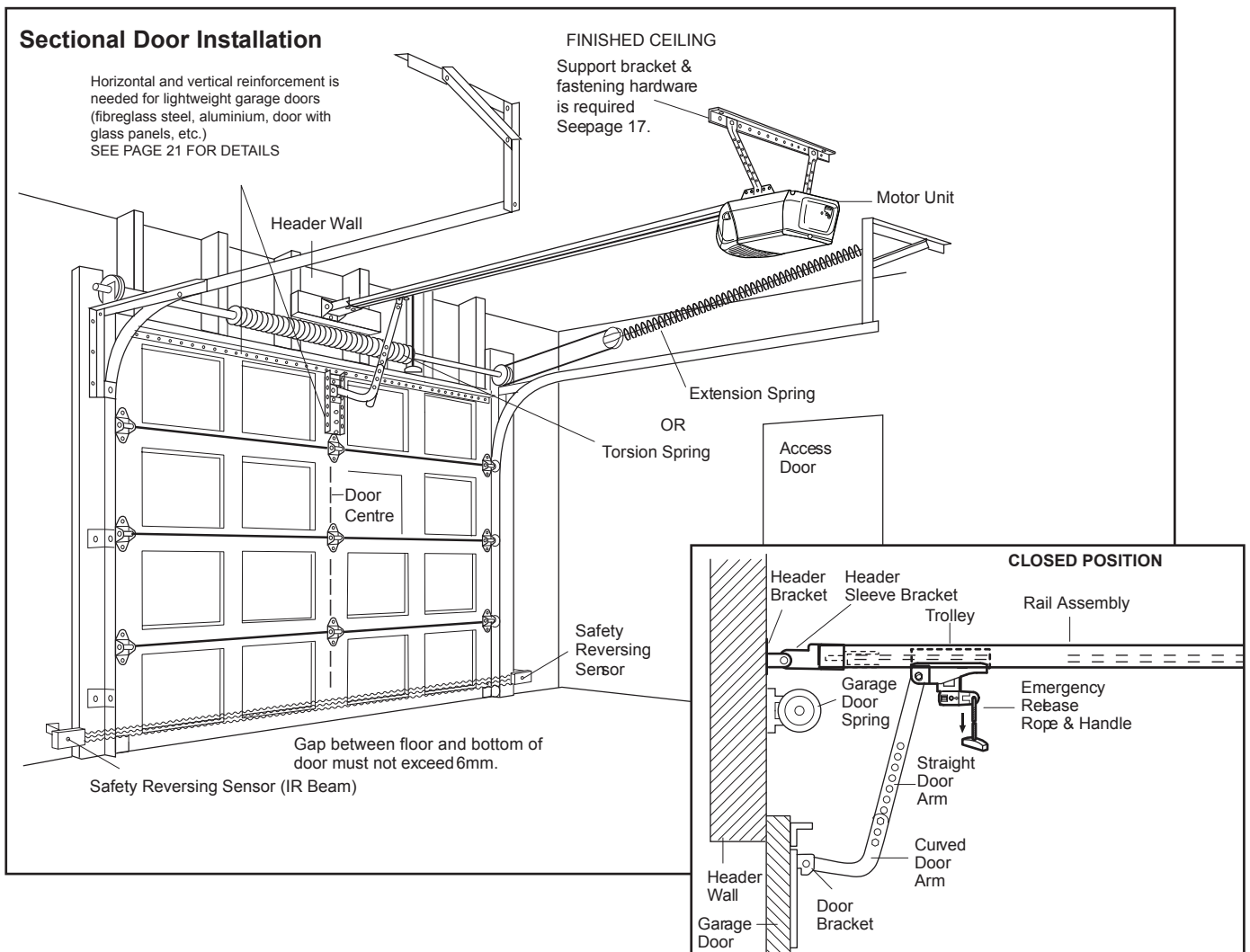
B&D recommends the use of safety infra-red beam sensors on all installations of automatic garage door openers.

- Installation Step 10:
 - Depending upon garage construction, extension brackets or wood blocks may be needed to install the infra-red safety sensors.

- Alternate floor mounting of the safety infra-red beam sensors will require hardware not provided.
- Do you have an access door in addition to the garage door? If not, a B&D Emergency Access Device is required (B&D Part# 59009).

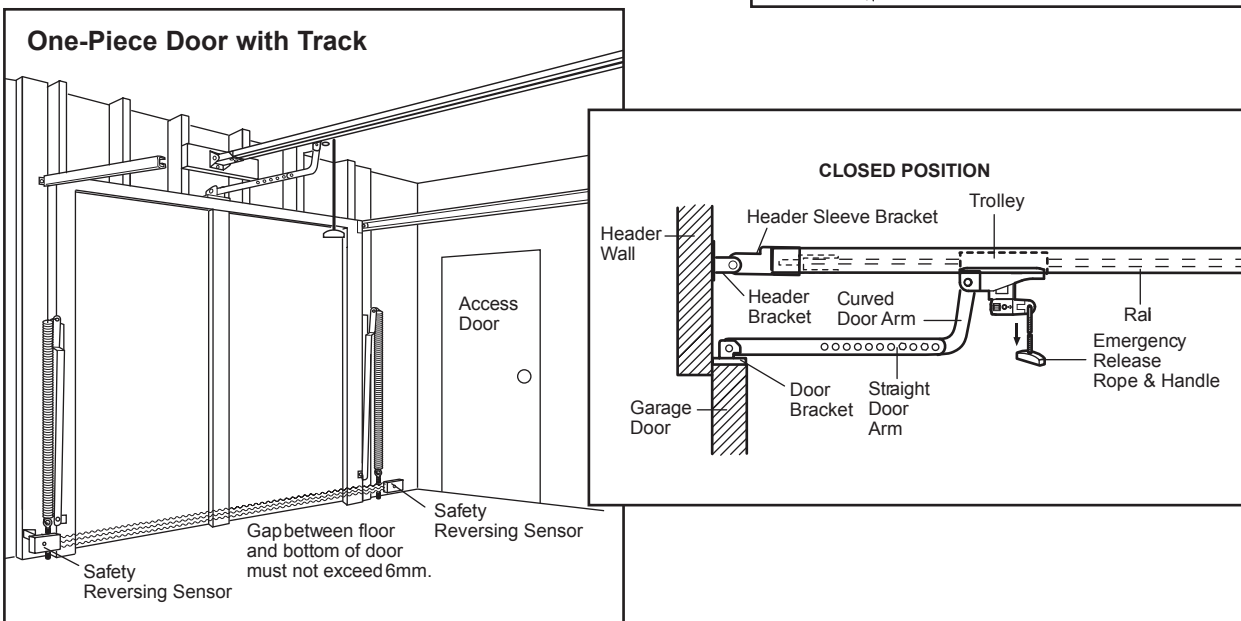
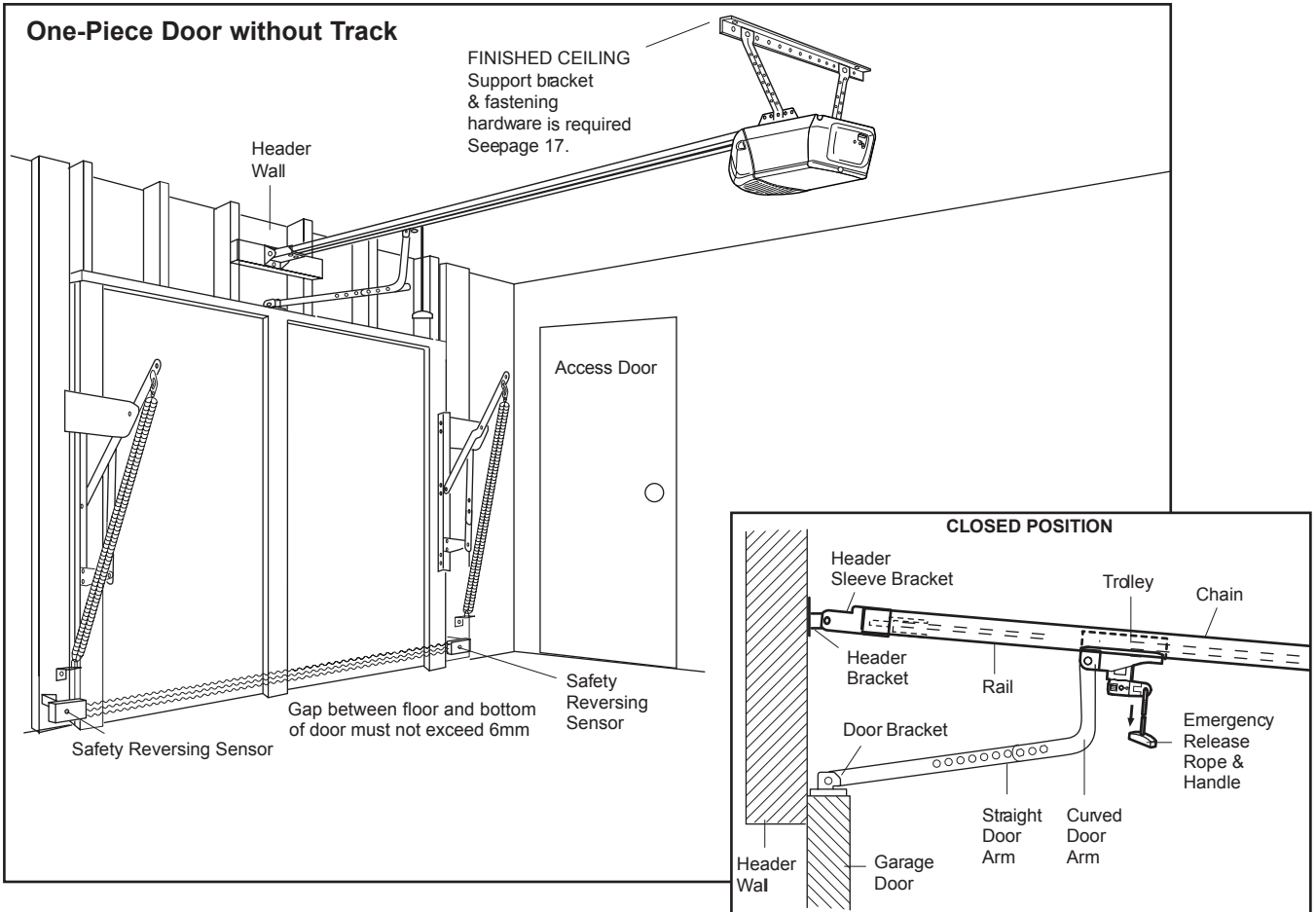
SECTIONAL DOOR INSTALLATIONS

- Do you have a steel, aluminum, fiberglass or glass panel door? If so, horizontal and vertical reinforcement is required (Installation Step 11).
- The opener is normally installed at the center of the door. If there is a torsion spring or center bearing plate in the way of the header bracket or door bracket area, the opener may be installed within 300mm to the left or right of the door center. See Installation Steps 1 and 11.
- Look at the garage door where it meets the floor. It must close on the floor all the way across. Otherwise, the safety reverse system may not work properly. See Adjustment Step 3. Floor or door should be repaired.



ONE-PIECE DOOR INSTALLATIONS

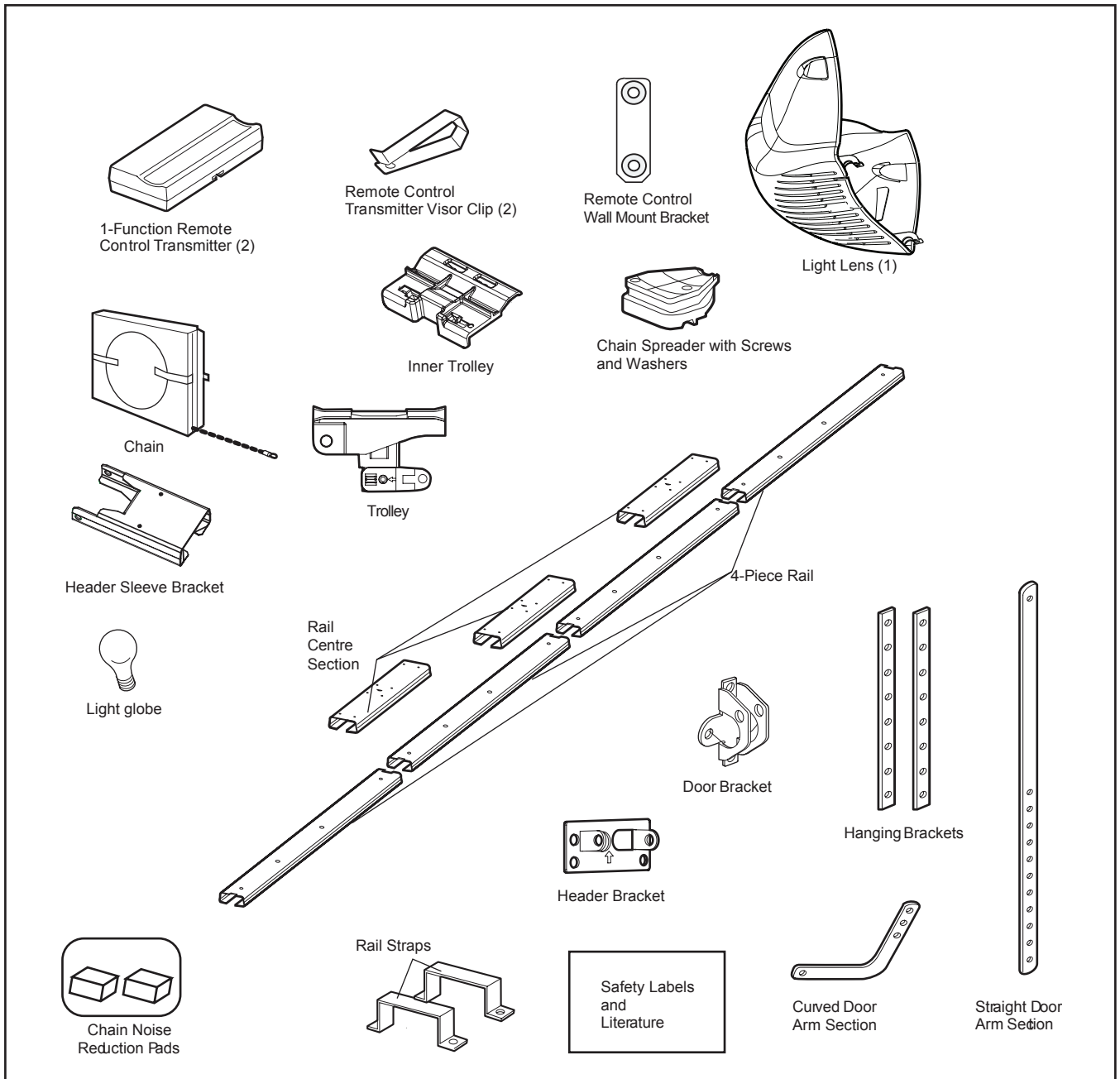
- Generally, a one-piece door does not require reinforcement. If your door is lightweight, you can refer to the information relating to sectional doors in Installation Step 11.
- Depending on your door's construction, you may need additional mounting hardware for the door bracket (Step 11).
- The gap between the bottom of the garage door and the floor cannot exceed 6mm. Otherwise, the safety reverse system may not work properly. See Adjustment Step 3. The floor or the door should be repaired.



Carton Inventory

Your garage door opener is packaged in two cartons which contains the motor unit and the parts illustrated below. If anything is missing, carefully check the packing material. Parts may be stuck in the foam.

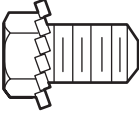
Hardware for assembly and installation is shown on the next page. Save the carton and packing material until installation and adjustment is complete.




Hardware Inventory

Separate all hardware and group as shown below for the assembly and installation procedures.

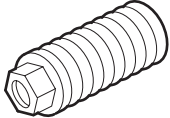
ASSEMBLY



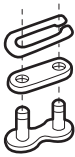
Washed Screw 25mm (4)
(mounted in opener)



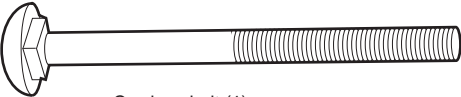
Screw (2)



Spring/Trolley Nut (1)

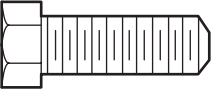


Master Link (2)




Carriage bolt (1)


INSTALLATION




Hex Screw
8mm x 20mm (4)




Nut
8mm (7)



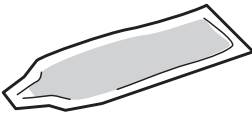
Lock Washer
8mm (7)




Ring Fastener (4)



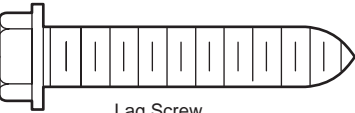
Insulated
Staples



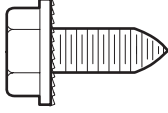
Rail Grease



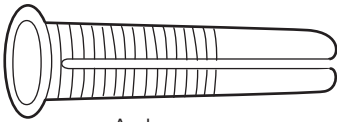
Rope




Lag Screw
8mm x 40mm (4)



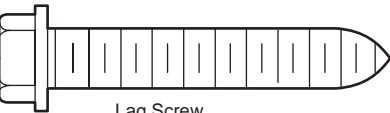
Sheet Metal Screw
8mm x 13mm(2)



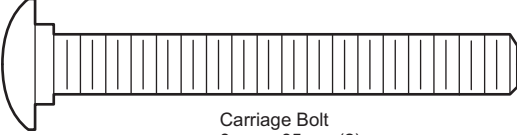
Anchors
8mm x 40mm (6)




NOTICE
Handle



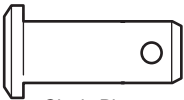
Lag Screw
8mm x 45mm (2)



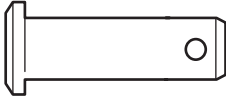
Carriage Bolt
8mm x 65mm (2)



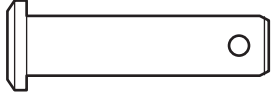
Stop Bolt (1)



Clevis Pin
8mm x 13mm (2)



Clevis Pin
8mm x 25mm(2)



Clevis Pin
8mm x 32mm (1)

ASSEMBLY STEP 1

Assemble the Rail

NOTE: If your opener came with a one piece rail, proceed to Assembly step 2, page 9.

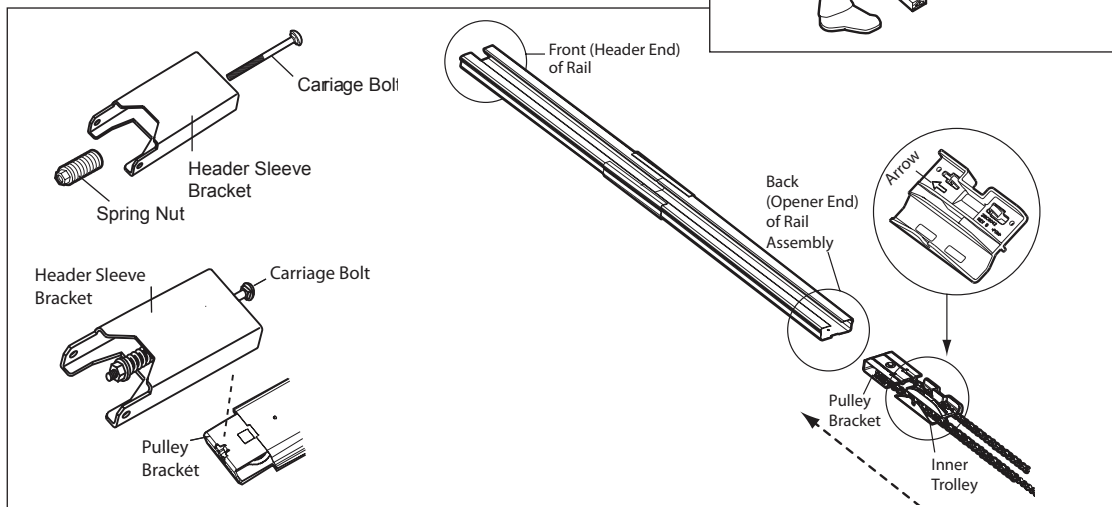
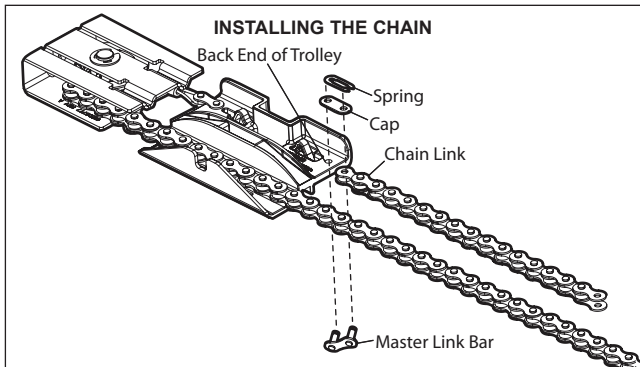
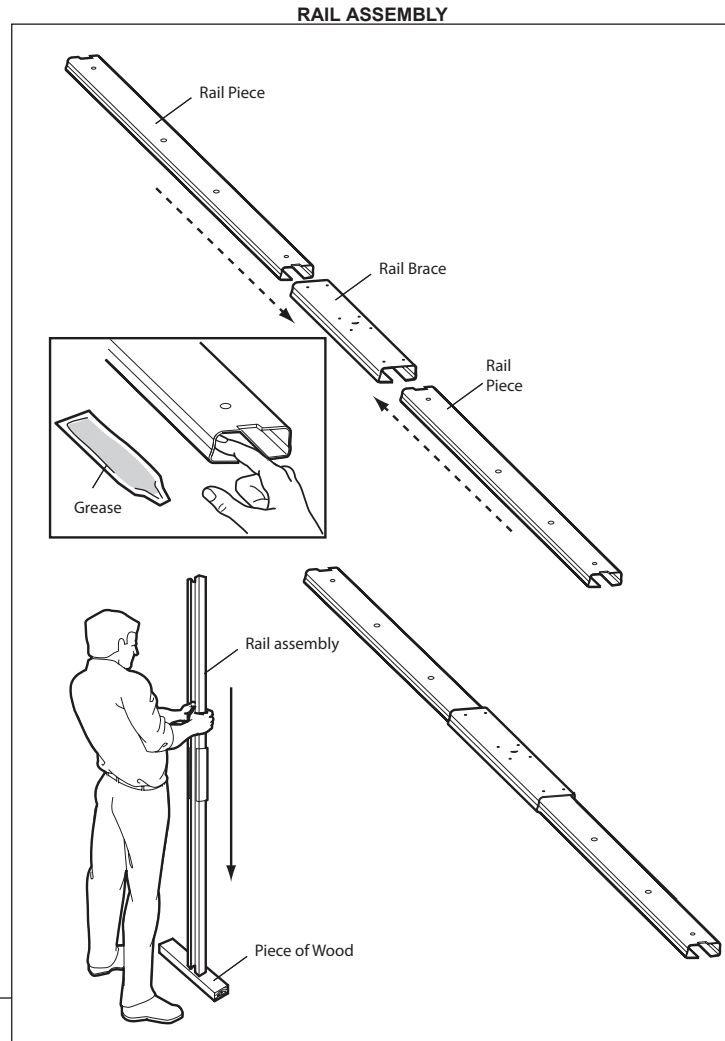
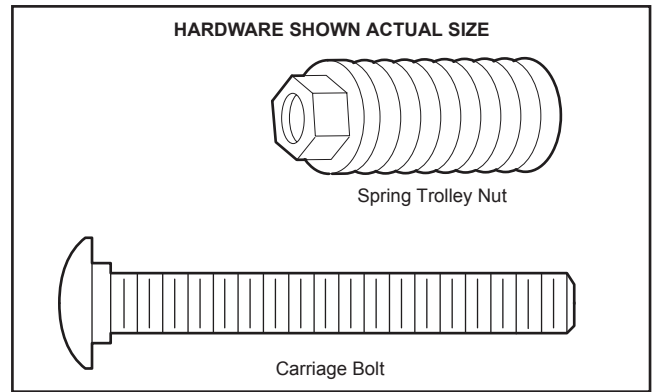
Grease inside edges of rail brace sections. Place rail pieces on flat surface for assembly. All four rail sections are interchangeable. Slide rail braces onto rail section. Connect rail by sliding rail brace onto next rail section. Tap rail assembly on piece of wood until rail sections are flush. Repeat with remaining rail sections.

Install the Chain

Remove chain from carton and lay chain out on floor (do not allow chain to twist). Push pins of master link bar through chain link and hole in back end of trolley. Push cap over pins and onto notches. Slide clip-on spring over cap and onto pin notches until both pins are securely locked in place.

Insert Chain into Rail & Assemble Header Sleeve

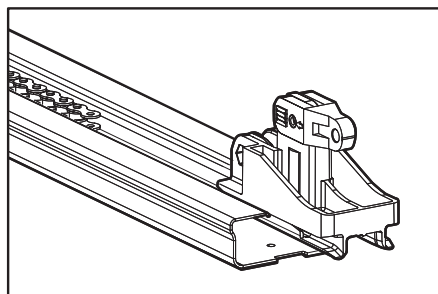
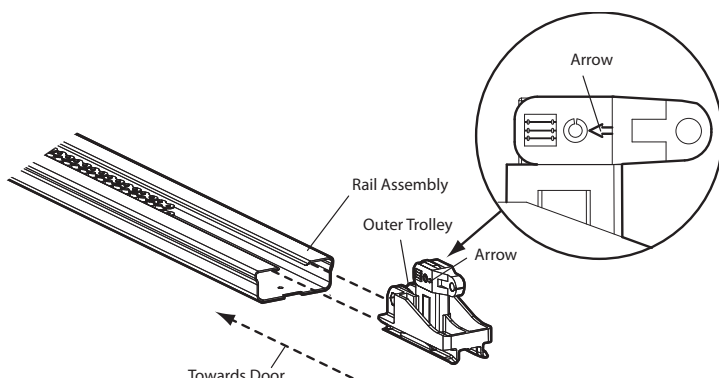
Slide pulley bracket and inner trolley into back (opener end) of rail assembly, be sure to insert pulley bracket as shown with arrow pointing toward front (header end) of rail. Push bracket toward front (header end) of rail. Insert carriage bolt through header sleeve bracket. Loosely thread spring nut onto carriage bolt. Insert carriage bolt of header sleeve assembly into bold cut out in pulley bracket. Slide header sleeve assembly on to front (header end) of rail.



ASSEMBLY STEP 2

Attach Trolley to Rail

Slide outer trolley into rail assembly, be sure arrow on trolley is heading in direction of door is heading in direction of door. Slide outer trolley down rail until it engages with inner trolley.



CAUTION

To avoid serious damage to opener, **ONLY** use screws mounted in top of motor unit.

ASSEMBLY STEP 3

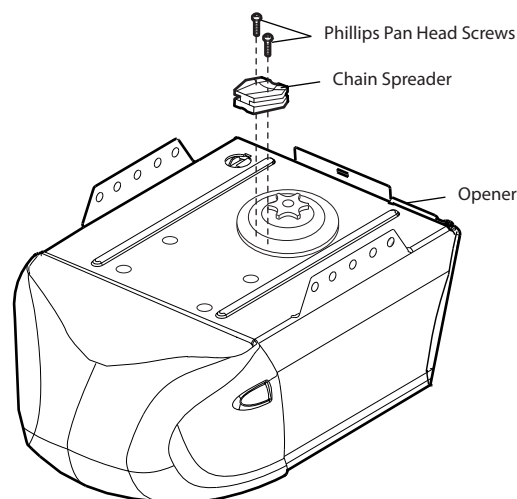
Attach Chain Spreader

Attach chain spreader to opener with phillips pan head screws.

WARNING

To avoid possible **SERIOUS INJURY** to fingers from moving garage door opener:

- ALWAYS keep hand clear of sprocket while operating opener.
- Securely attach chain spreader before operating.



ASSEMBLY STEP 4

Fasten Rail to Opener & Install Chain

Remove four washered bolts from top of opener. Place rail on opener, flush with stops on top of opener. Wrap chain around slot in spreader and over sprocket. Push idler pulley bracket assembly toward front of the rail to eliminate excess slack in chain. Align bolt holes on brackets with bolt holes on opener. Secure brackets to opener with previously removed bolts. Tighten bolts securely. **The opener sprocket teeth must engage the chain.** Insert bolt into trolley stop bolt hole secure with lock washer and nut.

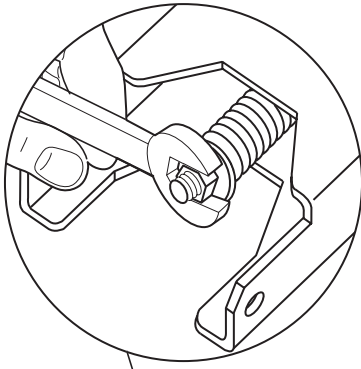
CAUTION: Use only those bolts mounted in the top of opener. Use of any other bolts will cause serious damage to opener.

Set Chain Tension

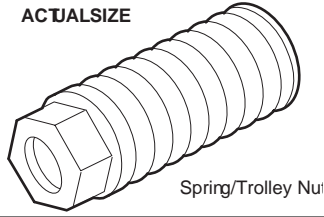
Thread spring nut on carriage bolt unit finger tight. Insert a screwdriver tip into one of the slots of the nut ring and brace it firmly against the header sleeve. Place an open end wrench on the square end of the spring nut, slightly rotate nut about 1/4 turn clockwise until nut ring is released against header sleeve. This sets spring to optimum chain tension. chain may slip off sprocket if chain is too loose. If chain does slip re-tighten spring nut by turning nut clockwise 1/2 turn.

Do NOT overtighten chain.

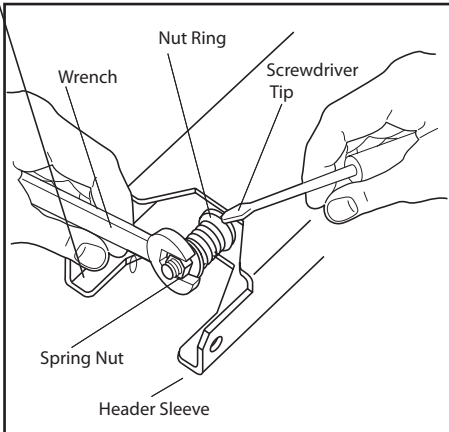
SET CHAIN TENSION



HARDWARE SHOW ACTUALSIZE

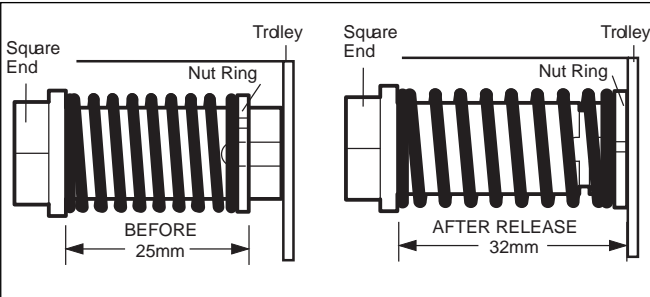
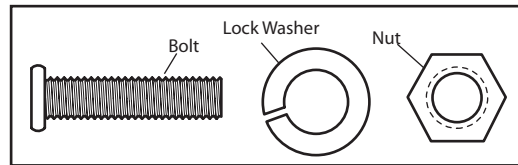
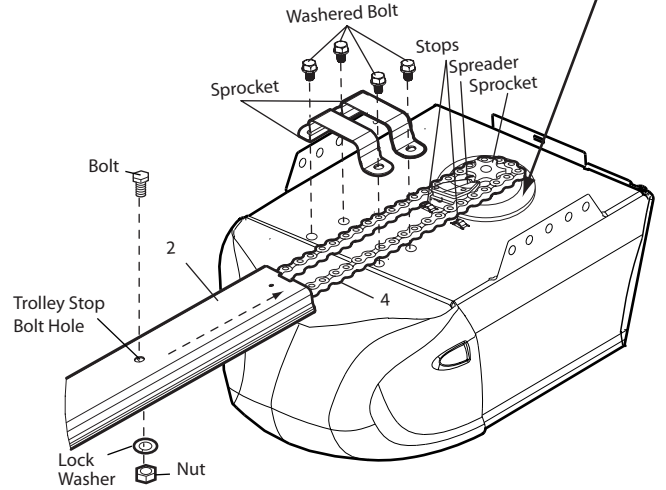
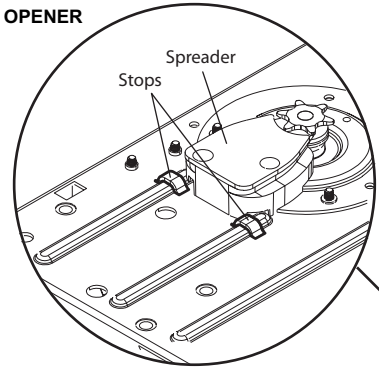


Spring/Trolley Nut



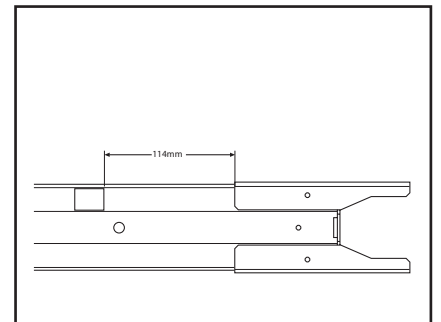
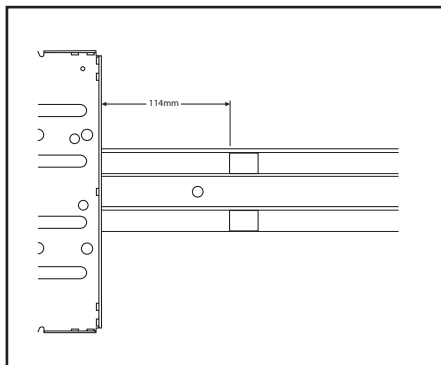
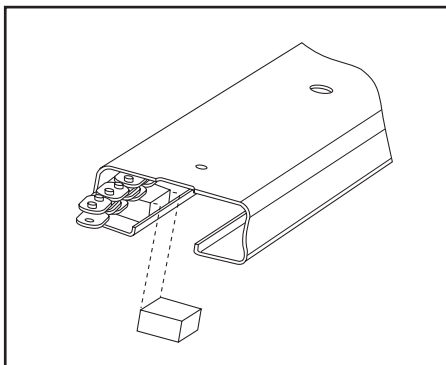
Wrench
Nut Ring
Screwdriver Tip
Spring Nut
Header Sleeve

FASTEN RAIL TO OPENER



ASSEMBLY STEP 5

Install Chain Noise Reduction Pads (optional)



1. Clean and remove grease from rail in areas where pads will be installed.

2. With chain tensioned lift up the chain and place noise reduction pads under the chain in orientation shown.

3. Install with adhesive side down allowing pad to stick to rail.

INSTALLATION

IMPORTANT INSTALLATION INSTRUCTIONS

WARNING

To reduce the risk of severe injury or death:

1. READ AND FOLLOW ALL INSTALLATION WARNINGS AND INSTRUCTIONS.
2. Install garage door opener only on properly balanced and lubricated garage door. An improperly balanced door may not reverse when required and could result in severe injury or death.
3. All repairs to cables, spring assemblies and other hardware MUST be made by a trained door systems technician before installing opener.
4. Disable all locks and remove all ropes connected to garage door before installing opener to avoid entanglement.
5. Install garage door opener 2.1m or more above floor.
6. Mount emergency release handle 1.8m feet above floor.
7. NEVER connect garage door opener to power source until instructed to do so.
8. NEVER wear watches, rings or loose clothing while installing or servicing opener. They could be caught in garage door or opener mechanisms.
9. Install wall-mounted garage door control:
 - within sight of the garage door
 - out of reach of children at minimum height of 1.5m
 - away from all moving parts of the door.
10. Place entrapment warning label on wall next to garage door control.
11. Place manual release/safety reverse test label in plain view on inside of garage door.
12. Upon completion of installation, test safety reversal system. Door MUST reverse on contact with a 40mm high object on the floor.

INSTALLATION STEP 1

Determine the Header Bracket Location

Installation procedures vary according to garage door types. Follow the instructions which apply to your door.

⚠ WARNING

To prevent possible **SERIOUS INJURY** or **DEATH**:

- Header bracket **MUST** be **RIGIDLY** fastened to structural support on header wall or ceiling, otherwise garage door might not reverse when required. **DO NOT** install header bracket over drywall.
- Concrete anchors **MUST** be used if mounting header bracket or 40mm reinforcement board into masonry.
- **NEVER** try to loosen, move or adjust garage door, springs, cables, pulleys, brackets, or their hardware, all of which are under **EXTREME** tension.
- **ALWAYS** call a trained door systems technician if garage door binds, sticks, or is out of balance. An unbalanced garage door might not reverse when required.

SECTIONAL DOOR AND ONE-PIECE DOOR WITH TRACK

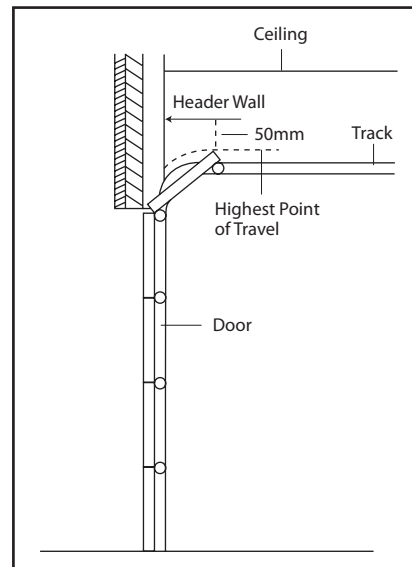
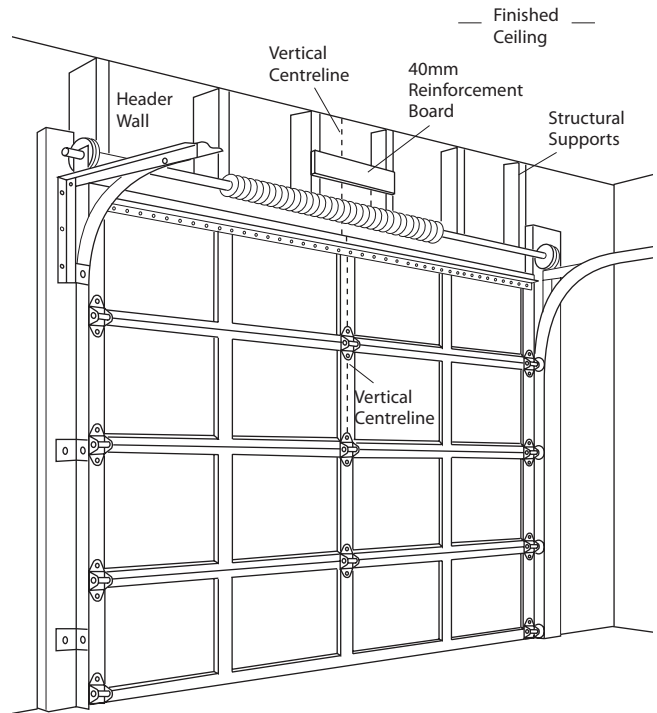
1. Close the door and mark the inside vertical centreline of the garage door.
2. Extend the line onto the header wall above the door.

NOTE: You can fasten the header bracket within 300mm of the left or right of the door center **only** if a torsion spring or centre bearing plate is in the way; or you can attach it to the ceiling (see page 14) when clearance is minimal. (It may be mounted on the wall upside down if necessary, to gain approximately 12mm.)

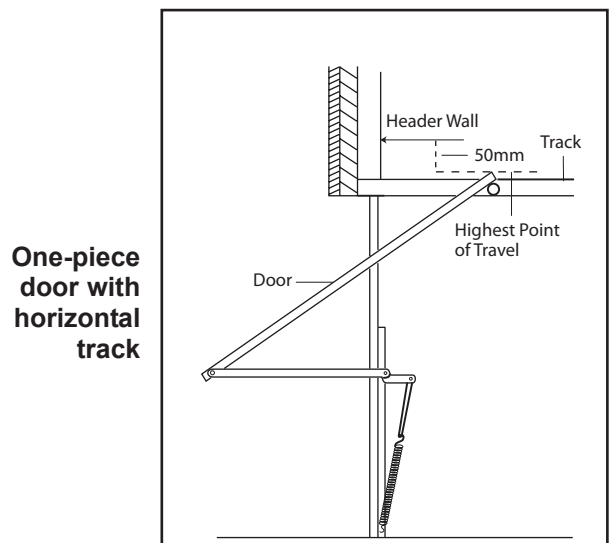
If you need to install the header bracket on a 40mm reinforcement board (on wall or ceiling), use lag screws (not provided) to securely fasten the 40mm reinforcement board to structural supports as shown here and on page 13. If installing into masonry, use concrete anchors.

3. Open your door to the highest point of travel as shown. Draw an intersecting horizontal line on the header wall 50mm above the high point. This height will provide travel clearance for the top edge of the door.

Proceed to **Step 2, page 14.**



Sectional door with curved track



One-piece door with horizontal track

ONE-PIECE DOOR WITHOUT TRACK

1. Close the door and mark the inside vertical centreline of your garage door. Extend the line onto the header wall above door, as shown.
If headroom clearance is minimal, you can install the header bracket on the ceiling. See page 14.
If you need to install the header bracket on a 40mm reinforcement board (on wall or ceiling), use lag screws (not provided) to securely fasten the 40mm reinforcement board to structural supports as shown. If installing into masonry, use concrete anchors (not provided).
2. Open your door to the highest point of travel as shown. Measure the distance from the top of the door to the floor. Subtract the actual height of the door. Add 200mm to the remainder. (See Example).
3. Close the door and draw an intersecting horizontal line on the header wall at the determined height.

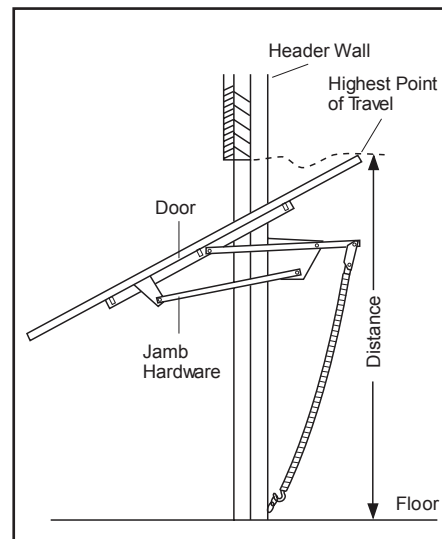
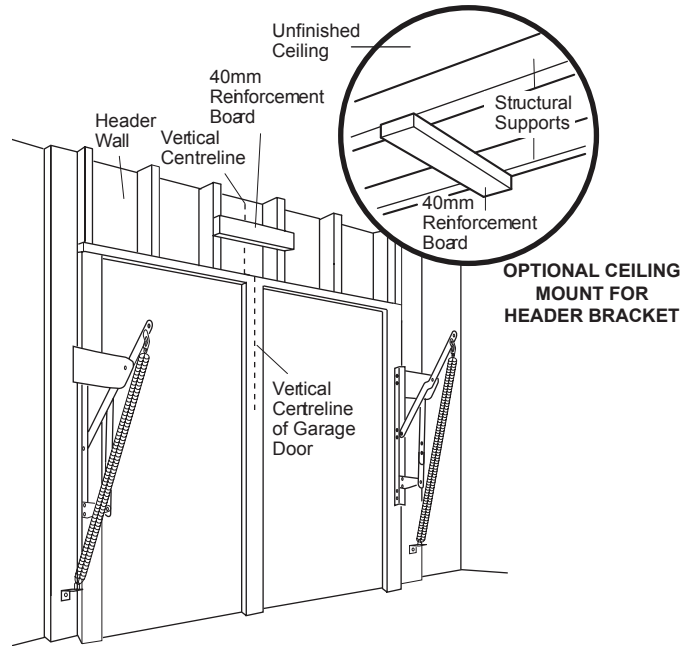
If the total number of millimeters exceeds the height available in your garage, use the maximum height possible, or refer to page 14 for ceiling installation.

EXAMPLE

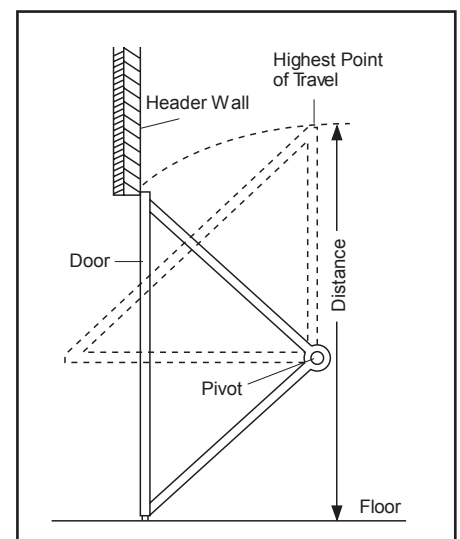
Distance from top of door (at highest point of travel) to floor	2300mm
Actual height of door	-2100mm
Remainder.....	200mm
Add.....	+200mm
Bracket height on header wall	=400mm

(Measure UP from top of CLOSED door.)

Proceed to Step 2, page 14.



**One-piece door without track:
jamb hardware**



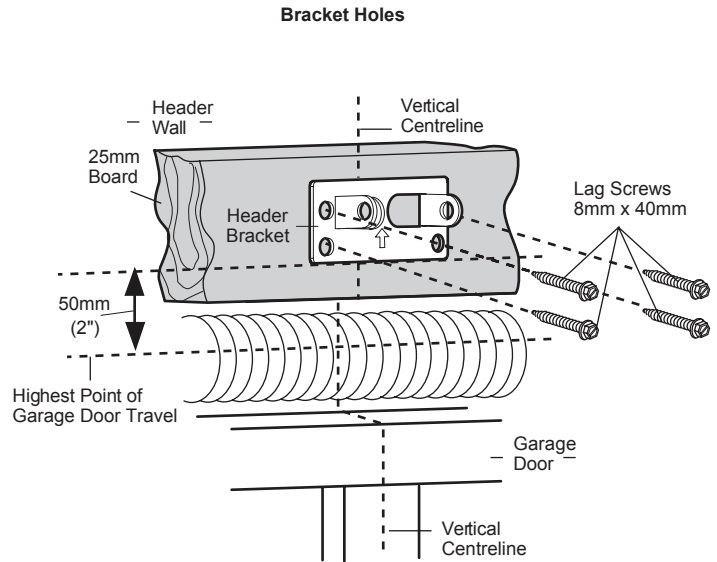
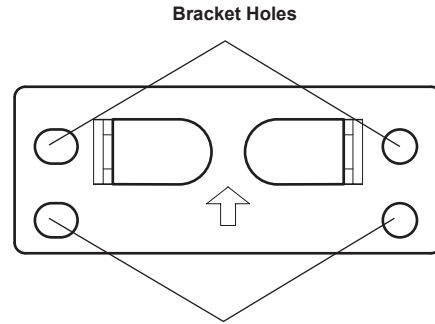
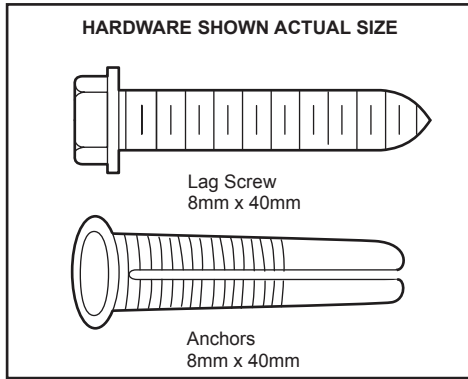
**One-piece door without track:
pivot hardware**

INSTALLATION STEP 2

Install the Header Bracket

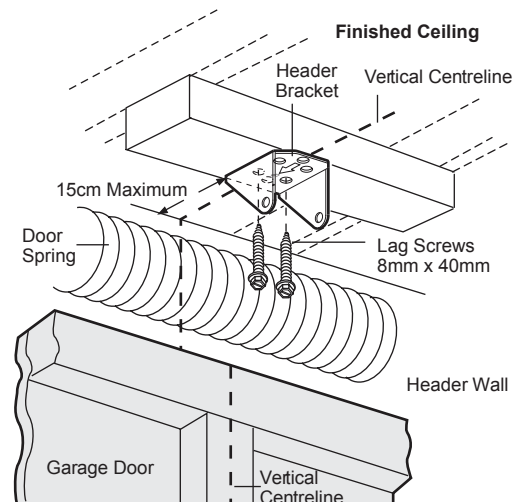
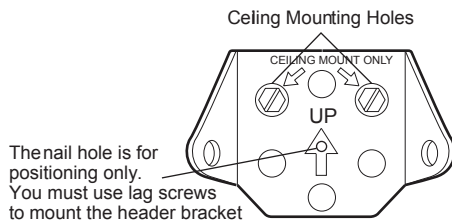
WALL HEADER BRACKET INSTALLATION

- Centre the bracket on the vertical guideline with the bottom edge of the bracket on the horizontal line (with the arrow pointing toward the ceiling).
- Mark all of the bracket holes. Drill 4.5mm (3/16") pilot holes and fasten the bracket with wood screws. For concrete mount, use concrete anchors provided.



CEILING HEADER BRACKET INSTALLATION

- Extend vertical guideline onto the ceiling.
- Centre the bracket on the vertical mark no more than 150mm (6") from the wall. Make sure the arrow is pointing toward the wall.
- Mark all of the bracket holes (5). Drill 4.5mm (3/16") pilot holes and fasten the bracket with wood screws. For concrete ceiling mount, use concrete anchors provided.

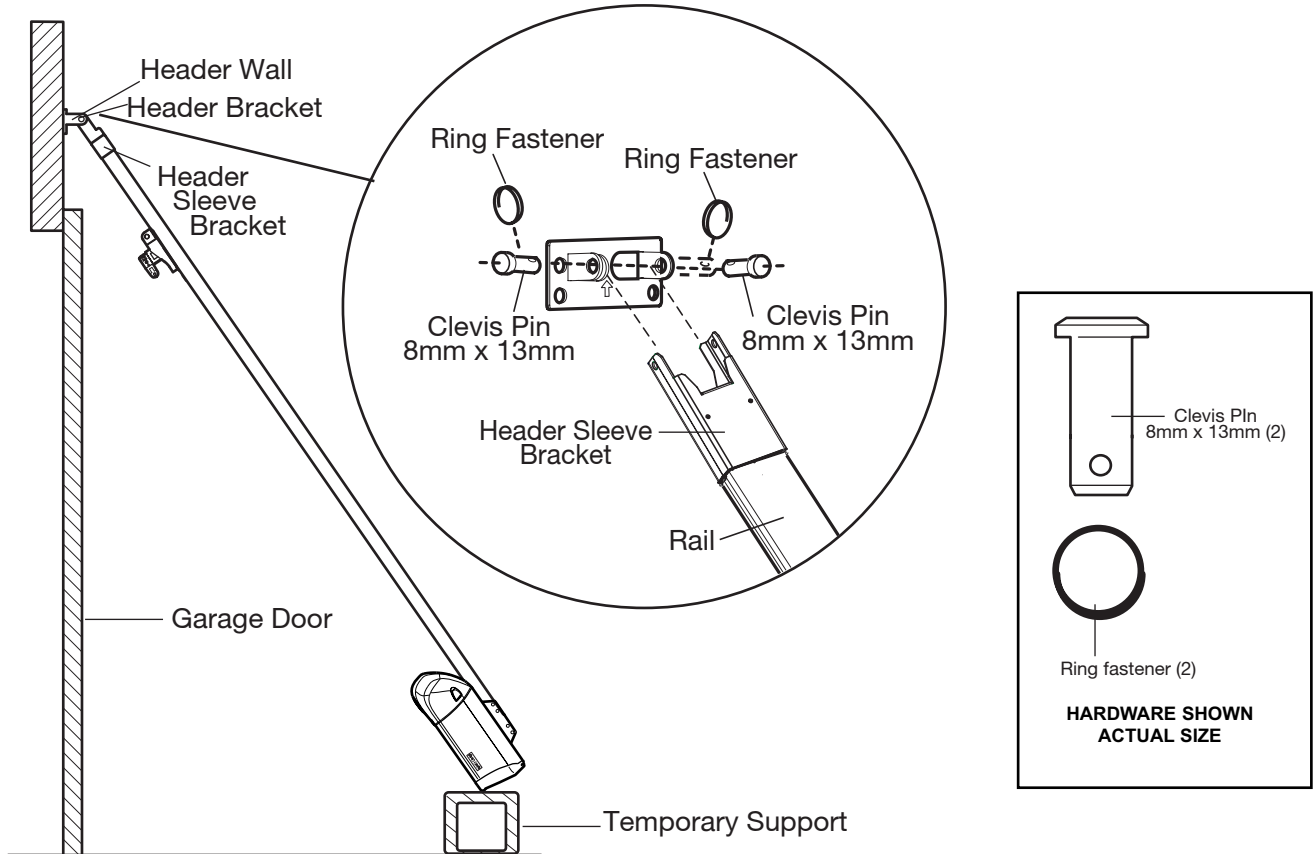


INSTALLATION STEP 3

Attach the Rail to the Header Bracket

- Position opener on garage floor below the header bracket. Use packing material to protect the cover. Raise rail until holes in the header sleeve and holes in the header bracket align. Join with clevis pins. Insert ring fasteners to secure.

NOTE: To enable the rail to clear sectional door springs, it may be necessary to lift opener onto a temporary support. The opener must either be secured to a support or held firmly in place by another person.



INSTALLATION STEP 4

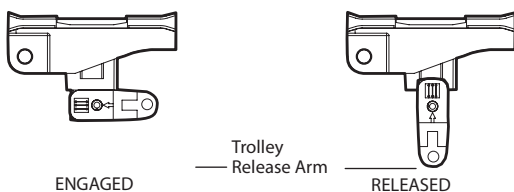
Position the Opener

Follow instructions which apply to your door type as illustrated.

SECTIONAL DOOR OR ONE-PIECE DOOR WITH TRACK

A 25 mm board laid flat is convenient for setting an ideal door-to-rail distance.

- Raise the opener onto a stepladder. You will need help at this point if the ladder is not tall enough.
- Open the door all the way and place a 25mm board laid flat on the top section beneath the rail.
- If the top section or panel hits the trolley when you raise the door, pull down on the trolley release arm to disconnect inner and outer sections. Slide the outer trolley toward the motor unit. The trolley can remain disconnected until Installation Step 12 is completed.

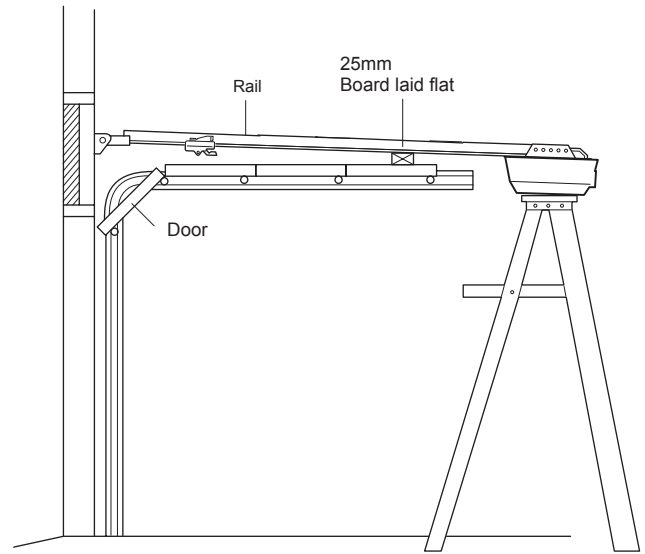
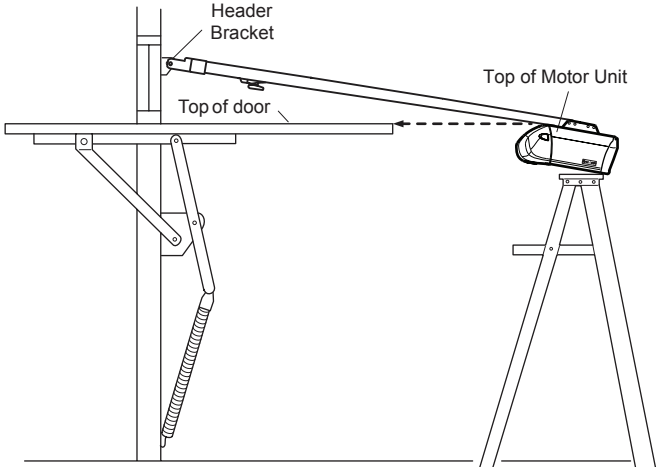


CAUTION

To prevent damage to garage door, rest garage door opener rail on 25mm board or equivalent placed on top section of door.

ONE-PIECE DOOR WITHOUT TRACK

- With the door fully open and parallel to the floor, measure the distance from the floor to the top of the door.
- Using a stepladder as a support, raise the top of the opener to this height.
- The top of the door should be level with the top of the motor unit. Do not position the opener more than 50mm above this point.



⚠ WARNING

To avoid possible **SERIOUS INJURY** from a falling garage door opener, fasten it **SECURELY** to structural supports of the garage. Concrete anchors **MUST** be used if installing any brackets into masonry.

INSTALLATION STEP 5

Hang the Opener

The opener must be securely fastened to a structural support of the garage.

Two representative installations are shown. Yours may be different. Hanging brackets should be angled (Figure 1) to provide rigid support. On finished ceilings, (Figure 2) attach a sturdy metal bracket (not supplied) to a structural support before installing the opener.

1. On **each** side of opener measure the distance from the opener to the structural support (or ceiling).
2. Cut both pieces of the hanging bracket to required lengths. Flatten one end of each bracket and bend or twist to fit the fastening angles. **Do not bend at the bracket holes.** Drill 4.5mm (3/16") pilot holes in the structural supports (or ceiling). Attach flattened ends of brackets to supports with wood screws.
3. Lift opener and fasten to hanging brackets with screw, lock washer and nut. Check to make sure rail is centred over the door.
4. Remove 25mm (1") board. Operate door manually. If door hits the rail, raise header bracket.
5. Use rail grease and lubricate inside surface of rail.

Figure 1

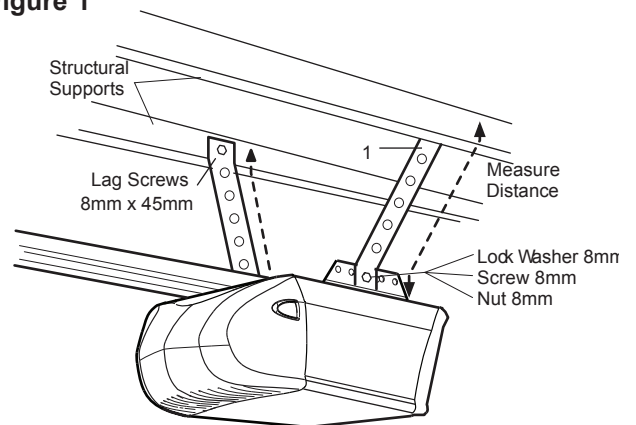
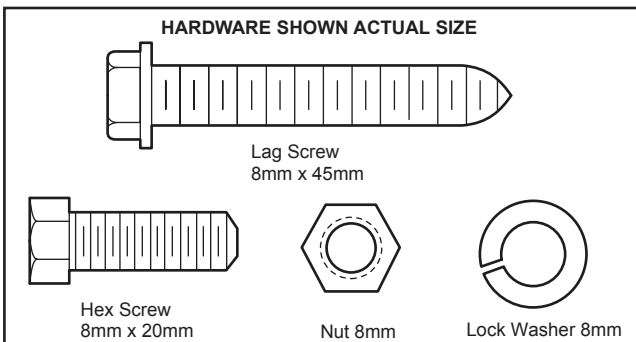
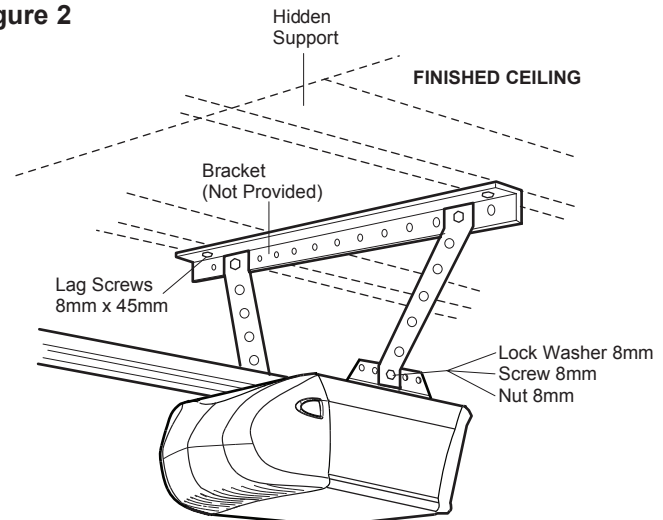


Figure 2

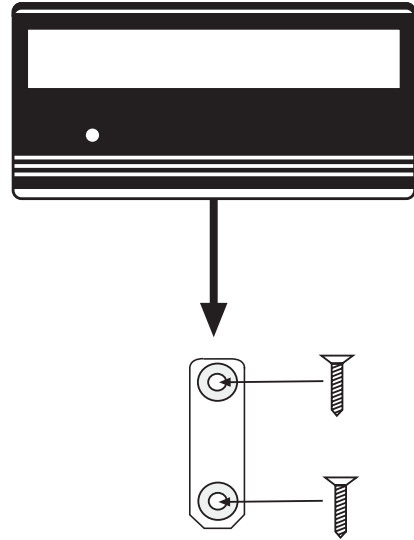


INSTALLATION STEP 6

Remote Control Wall Mount

1. Locate wall mount bracket at least 1.5m above the floor.
2. Attach to the wall with 2 x ϕ 3.5 max flat head screws (not provided).
3. Slide remote control onto wall mount bracket.

NOTE: Tightening the wall mount screws will reduce clearance between bracket and wall.

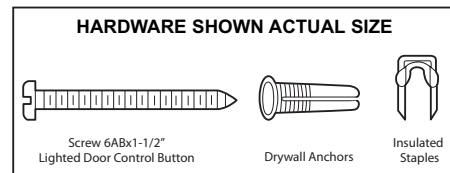
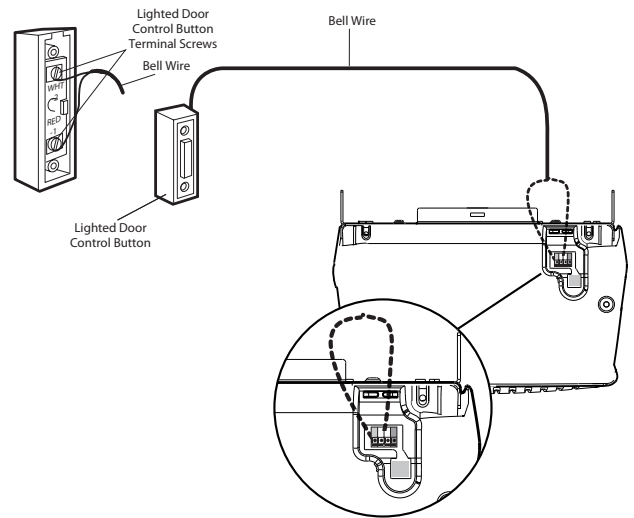


Install the door control (optional)

Note: Wired Push button door control not provided in standard kit.

Locate the door control within sight of the door at a minimum height of 1.5m where small children cannot reach, and away from all moving parts of the door and door hardware.

1. Strip 6mm of insulation from one end of the bell wire. Connect it to the two screw terminals on the back of the door control by color: white wire to 2 and white/red wire to 1.
2. Fasten the Lighted Door Control Button securely with 6ABx1-1/2" screws. If installing into drywall, drill 4mm holes and use the anchors provided.
3. Run the bell wire up the wall and across the ceiling to the opener. Use insulated staples to secure the wire in several places. Do not pierce wire with a staple, creating a short or open circuit.
4. Receiver terminals are located on the back panel of the opener.
5. Strip 11mm of insulation from the end of the bell wire and insert in wire trap: white to 2 and white/red to 1.
6. Permanently attach the entrapment warning label to the wall near the door control, and the manual release/safety reverse test in a prominent location on the inside of the garage door.



WARNING

To prevent possible SERIOUS INJURY or DEATH from electrocution:

- Be sure power is not connected BEFORE installing door control.

To prevent possible SERIOUS INJURY or DEATH from a closing garage door:

- Install door control within sight of garage door, out of reach of children at a minimum height of 1.5m, and away from all moving parts of door.
- NEVER permit children to operate or play with door control push buttons or remote control transmitters.
- Activate door ONLY when it can be seen clearly, is properly adjusted, and there are no obstructions to door travel.
- ALWAYS keep garage door in sight until completely closed. NEVER permit anyone to cross path of closing garage door.

WIRING INSTRUCTIONS FOR ACCESSORIES

- Place entrapment warning label on the inside of door as a reminder of safe operating procedures. Place the manual release/safety reverse test label in plain view on the inside of the garage door.

KEY SWITCH MODEL 059009

To opener terminal: white to 2; white/red to 1.

SAFETY INFRA-RED REVERSING SENSOR MODEL 062153

To opener terminal screws: white to 2; Black to 3.

DOOR CONTROL PANEL 062159

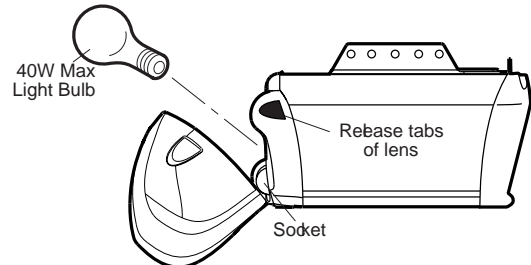
To opener terminal: white to 2; white/red to 1.

INSTALLATION STEP 7

Install the Light

- Press the release tabs on both sides of lens. Gently rotate lens back and downward until the lens hinge is in the fully open position. Do not remove the lens. Install a 40 watt maximum (socket size E27), light globe in the socket as shown.
- The light will turn on and remain lit for 2-1/2 minutes when power is connected. After 2-1/2 minutes it will turn off.
- Reverse the procedure to close the lens.

Replace burned out globes with rough service light globes.



INSTALLATION STEP 8

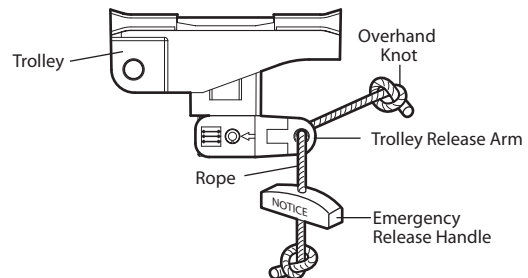
Attach the Emergency Release Rope and Handle

- Thread one end of the rope through the hole in the top of the red handle so "NOTICE" reads right side up as shown. Secure with an overhand knot at least 25mm from the end of the rope to prevent slipping.
- Thread the other end of the rope through the hole in the release arm of the outer trolley.
- Adjust rope length so the handle is 1.8m above the floor. Secure with an overhand knot.

If it is necessary to cut the rope, heat seal the cut end with a match or lighter to prevent unraveling.

⚠ WARNING

- To prevent possible **SERIOUS INJURY** or **DEATH** from a falling garage door:
 - If possible, use emergency release handle to disengage trolley **ONLY** when garage door is **CLOSED**. Weak or broken springs or unbalanced door could result in an open door falling rapidly and/or unexpectedly.
 - **NEVER** use emergency release handle unless garage doorway is clear of persons and obstructions.
- **NEVER** use handle to pull door open or closed. If rope knot becomes untied, you could fall.



INSTALLATION STEP 9

Connect Electric Power

To avoid installation difficulties, do not run the opener at this time.

Connect the operator to a mains which is properly earthed according to the wiring instruction tag attached to the power supply cord (and as specified by local code).

⚠ WARNING

- To prevent possible **SERIOUS INJURY** or **DEATH** from electrocution or fire:
- Be sure power is not connected to the opener, and disconnect power to circuit **BEFORE** removing cover to establish permanent wiring connection.
 - Garage door installation and wiring **MUST** be in compliance with all local electrical and building codes.
 - **NEVER** use an extension cord, 2-wire adapter, or change plug in any way to make it fit outlet. Be sure the opener is earthed.

INSTALLATION STEP 10

Install the Safety Infra-red Reversing Sensors (Optional)

It is recommended that safety infra-red reversing sensors be connected and aligned correctly to the garage door opener.

The force, as measured on the closing edge of the door, should not exceed 400N (40kg). If the closing force is adjusted to more than 400N, this safety system must be installed.

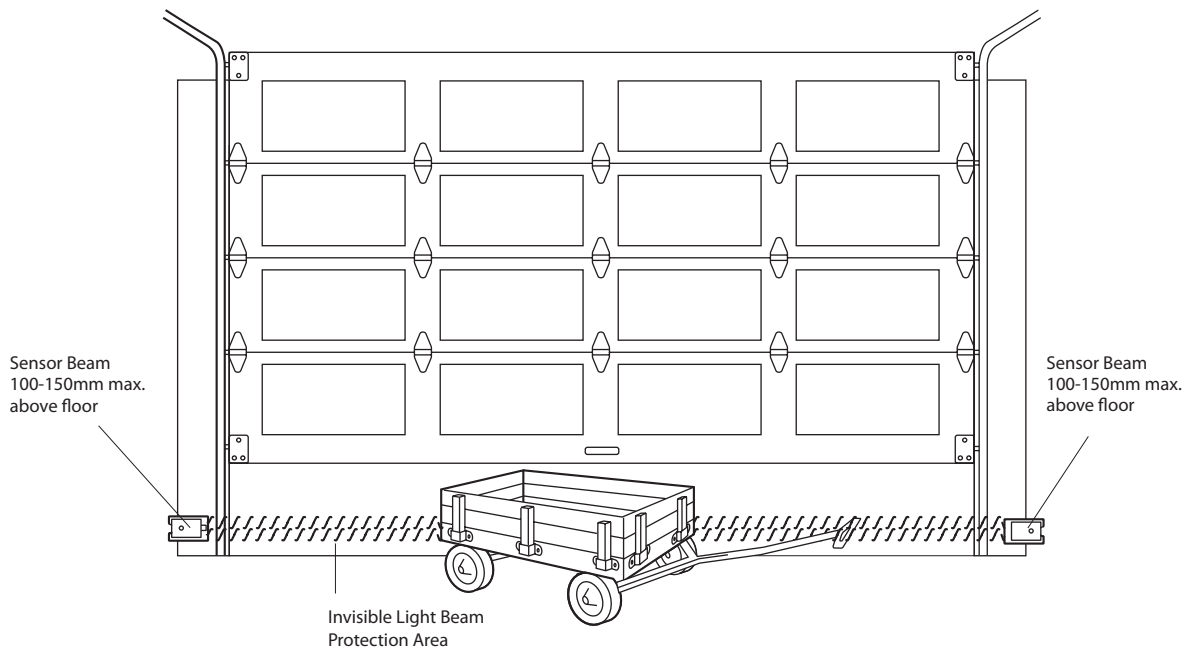
IMPORTANT INFORMATION ABOUT THE SAFETY REVERSING SENSORS

When properly connected and aligned, the safety infra-red reversing sensors will detect an obstacle in the path of its electronic beam. The sending eye transmits an invisible light beam to the receiving eye. If an obstruction breaks the light beam while the door is closing, the door will stop and reverse to full open position, and the opener light will flash 10 times.

The units must be installed inside the garage so that the sending and receiving eyes face each other across the door, between 100-150mm above the floor. Either can be installed on the left or right of the door as long as the sun never shines directly into the receiving eye lens.

The brackets must be securely fastened to a solid surface such as the wall framing. If installing in masonry construction, add a piece of wood at each location to avoid drilling extra holes in masonry if repositioning is necessary.

The invisible light beam path must be unobstructed. No part of the garage door (or door tracks, springs, hinges, rollers or other hardware) may interrupt the beam while the door is closing.



Facing the door from inside the garage

INSTALLATION STEP 11

Fasten the Door Bracket

Follow instructions which apply to your door type as illustrated below or on the following page.

A horizontal reinforcement brace should be long enough to be secured to two or three vertical supports. A vertical reinforcement brace should cover the height of the top panel.

Figure 1 shows one piece of angle iron as the horizontal brace. For the vertical brace, 2 pieces of angle iron are used to create a U-shaped support. The best solution is to check with your garage door manufacturer for an opener installation door reinforcement kit.

NOTE: Many door reinforcement kits provide for direct attachment of the clevis pin and door arm. In this case you will not need the door bracket; proceed to Step 12.

SECTIONAL DOORS

1. Center the door bracket on the previously marked vertical centreline used for the header bracket installation. Note correct UP placement, as stamped inside the bracket.
2. Position the top edge of the bracket 50mm - 100mm (2"-4") below the top edge of the door, OR directly below any structural support across the top of the door.
3. Mark, drill holes and install as follows, depending on your door's construction:

Metal or light weight doors using a vertical angle iron brace between the door panel support and the door bracket:

- Drill 4.5mm (3/16") fastening holes. Secure the door bracket using the two 8mm x 13mm (1/4"-14x5/8") self-threading screws. (Figure 2A)
- Alternately, use two 8mm (5/16") bolts, lock washers and nuts. (Figure 2B)

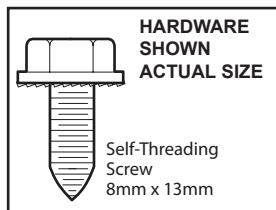
Metal, insulated or light weight factory reinforced doors:

- Drill 4.5mm (3/16") fastening holes. Secure the door bracket using the self-threading screws. (Figure 3)

Wood Doors:

- Use top and bottom or side to side door bracket holes. Drill 8mm (5/16") holes through the door and secure bracket with 8mm x 65mm (5/16"x2") carriage bolts, lock washers and nuts (not provided). (Figure 4)

NOTE: The 8mm x 13mm (1/4"-14x5/8") self-threading screws are not intended for use on wood doors.



CAUTION

Fibreglass, aluminum or lightweight steel garage doors **WILL REQUIRE** reinforcement **BEFORE** installation of door bracket. To prevent damage to garage doors reinforce inside of door with angle iron both vertically and horizontally.

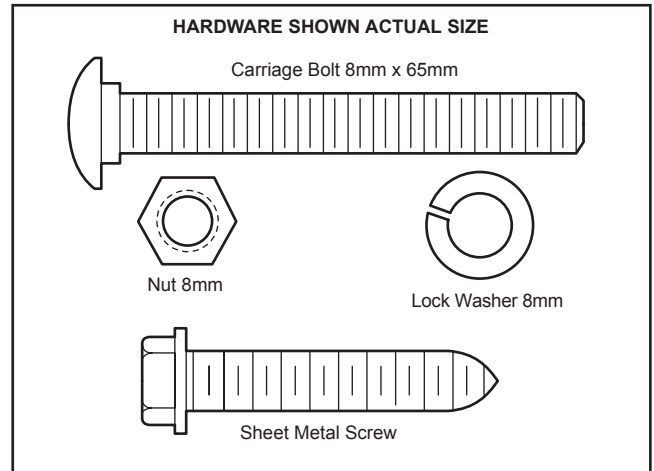


Figure 1

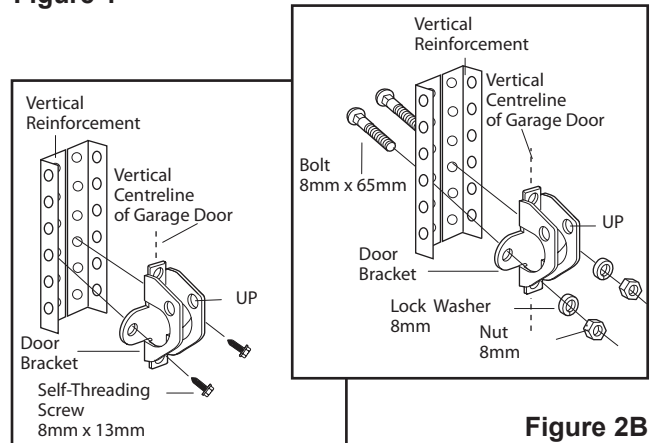


Figure 2B

Figure 2A

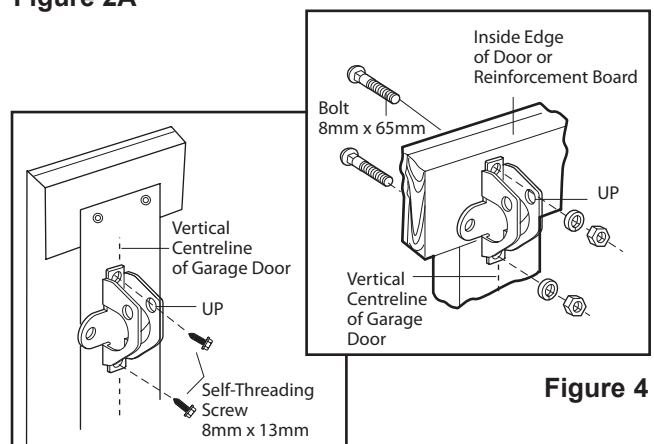


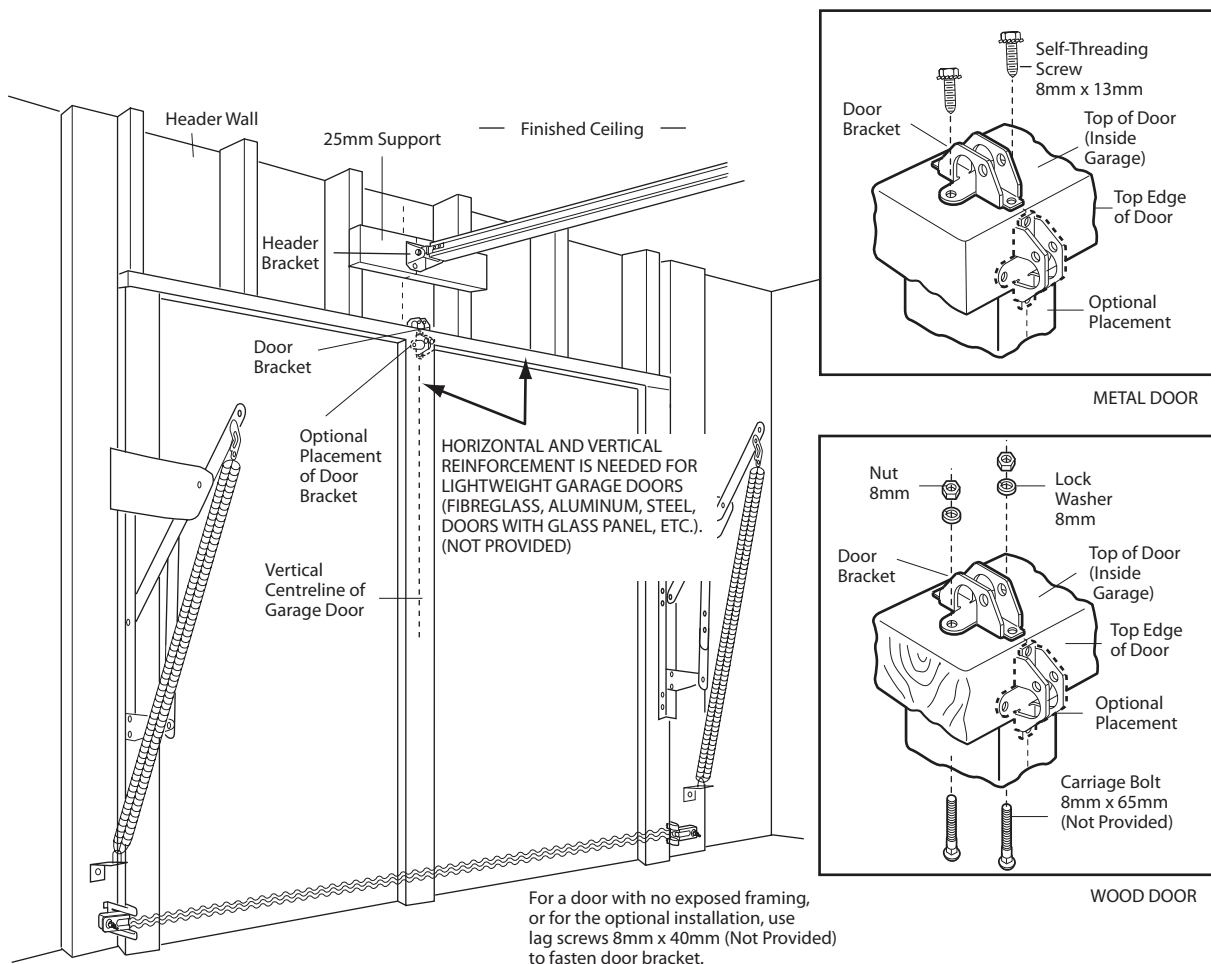
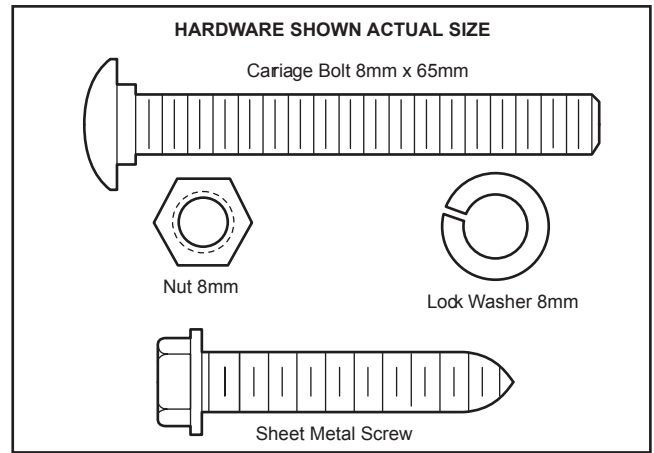
Figure 4

ONE-PIECE DOORS

Please read and comply with the warnings and reinforcement instructions on the previous page. They apply to one-piece doors also.

- Centre the door bracket on the top of the door, in line with the header bracket as shown. Mark either the left and right, or the top and bottom holes.
- **Metal Doors:** Drill 4.5mm (3/16") pilot holes and fasten the bracket with the 8 x 13mm (1/4"-14x5/8") self-threading screws provided.
- **Wood Doors:** Drill 8mm (5/16") holes and use 8mm x 2" (5/16"x2") carriage bolts, lock washers and nuts or 8 x 40mm (5/16"x1-1/2") lag screws depending on your installation needs.

NOTE: The door bracket may be installed on the top edge of the door if required for your installation. (Refer to the dotted line optional placement drawing.)



INSTALLATION STEP 12

Connect Door Arm to Trolley

Follow instructions which apply to your door type as illustrated below and on the following page.

SECTIONAL DOORS ONLY

- Make sure garage door is fully closed. Pull the emergency release handle to disconnect the outer trolley from the inner trolley. Slide the outer trolley back (away from the door) about 200mm as shown in Figures 1, 2 and 3.

Figure 1:

- Fasten straight door arm section to outer trolley with the 8mm x 25mm clevis pin. Secure the connection with a ring fastener.
- Fasten curved section to the door bracket in the same way, using the 8mm x 32mm clevis pin.

Figure 2:

- Bring arm sections together. Find two pairs of holes that line up and join sections. If possible, use the top and bottom holes on the curved door arm, as shown.

Figure 3, Hole Alignment Alternative:

- If holes in curved arm are above holes in straight arm, disconnect straight arm. Cut about 150mm from the solid end. Reconnect to trolley with cut end down as shown.
- Bring arm sections together.
- Find two pairs of holes that line up and join with screws, lock washers and nuts.
- Pull the emergency release handle toward the opener at a 45° angle so that the trolley release arm is horizontal. Proceed to *Adjustment Step 1*, page 25. Trolley will re-engage automatically when opener is operated.

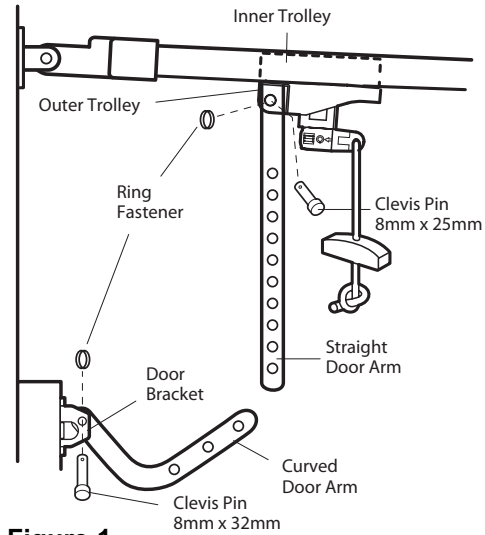


Figure 1

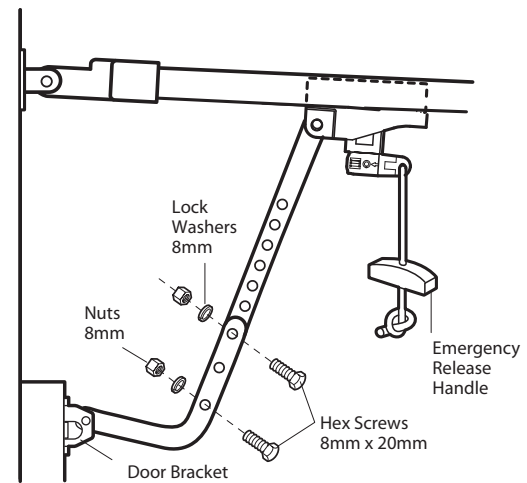


Figure 2

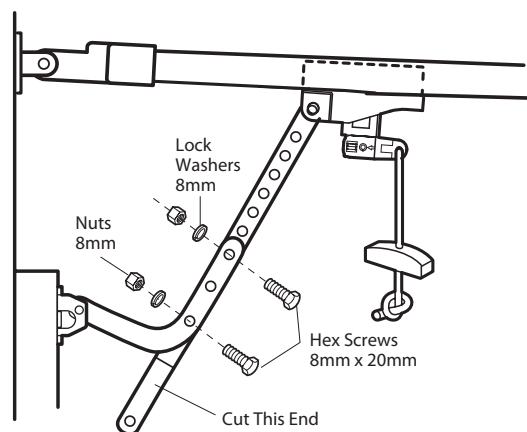
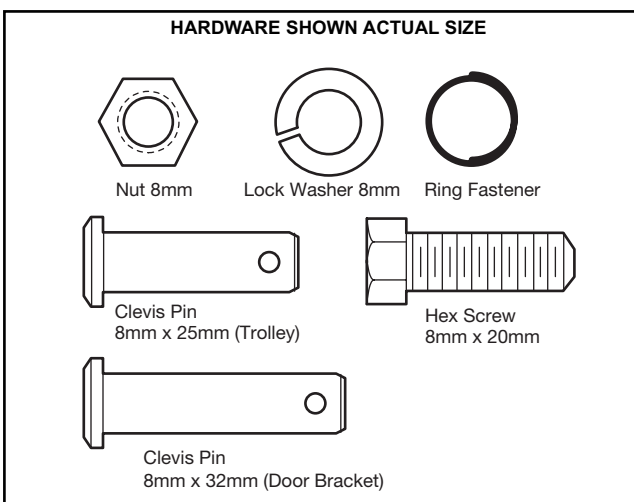


Figure 3



ALL ONE-PIECE DOORS

Assemble the Door Arm:

- Fasten the straight and curved door arm sections together to the longest possible length (with a 2 or 3 hole overlap).
- With the door closed, connect the straight door arm section to the door bracket with the 8mm x 32mm clevis pin.
- Secure with a ring fastener.

Adjustment Procedures for One-Piece Doors

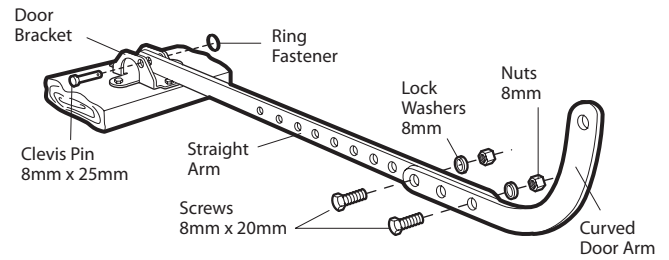
On one-piece doors, before connecting the door arm to the trolley, the travel limits must be adjusted. Limit adjustment screws are located on the left side panel as shown on page 25. Follow adjustment procedures below.

A. Open Door Adjustment: Decrease UP Travel Limit

- Turn the UP limit adjustment screw counter-clockwise 4 1/2 turns.
- Press the Remote Control transmitter button. The trolley will travel to the fully open position.
- Manually raise the door to the open position (parallel to the floor), and lift the door arm to the trolley. The arm should touch the trolley just in back of the door arm connector hole. Refer to the fully open trolley/door arm positions in the illustration. If the arm does not extend far enough, adjust the limit further. One full turn equals 50mm of trolley travel.

B. Closed Door Adjustment: Decrease DOWN Travel Limit

- Turn the DOWN limit adjustment screw clockwise 4 complete turns.

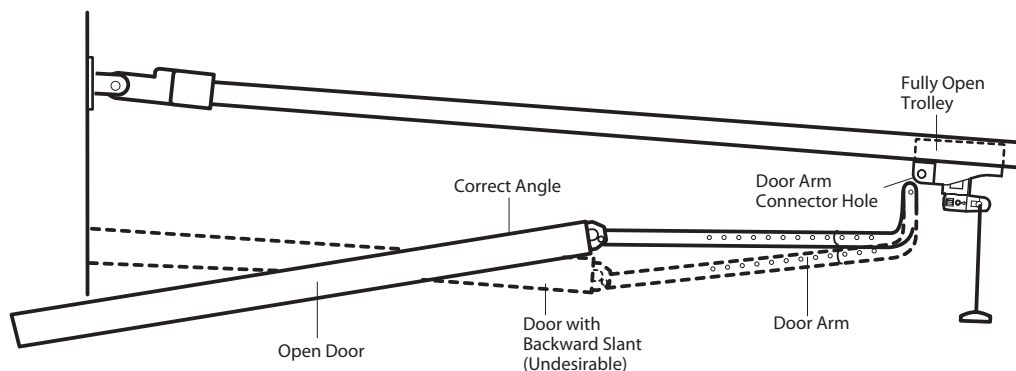
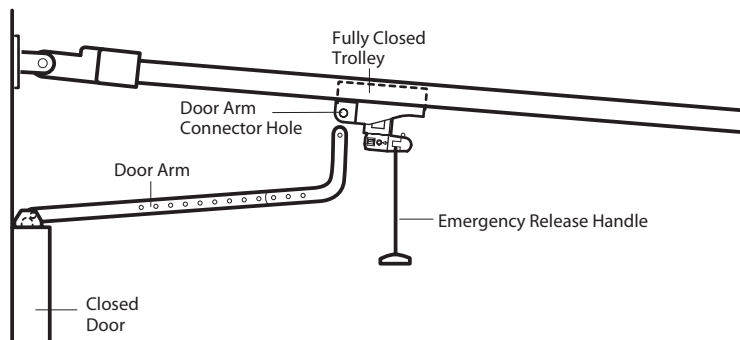


- Press the Remote Control transmitter button. The trolley will travel to the fully closed position.
- Manually close the door and lift the door arm to the trolley. The arm should touch the trolley just ahead of the door arm connector hole. Refer to the fully closed trolley/door arm positions in the illustration. If the arm is behind the connector hole, adjust the limit further. One full turn equals 50mm of trolley travel.

Connect the door arm to the trolley.

- Close the door and join the curved arm to the connector hole in the trolley with the remaining clevis pin. It may be necessary to lift the door slightly to make the connection.
- Secure with a ring fastener.
- Run the opener through a complete travel cycle. If the door has a slight "backward" slant in full open position as shown in the illustration, decrease the UP limit until the door is parallel to the floor.

NOTE: When setting the up limit on the following page, the door should not have a "backward" slant when fully open as illustrated below. A slight backward slant will cause unnecessary bucking and/or jerking operation as the door is being opened or closed from the fully open position.



ADJUSTMENT STEP 1

Limit Adjustment

Run the opener through a complete travel cycle. Limit adjustments are not necessary when the door opens and closes completely and doesn't reverse unintentionally in the fully closed position.

Locate the button on the back panel of motor unit.

NOTE: *if the operator stops or reverses and will not allow the run through of a complete travel cycle, it may be necessary for the operator to adjust the force profile.*

Push the button twice to enter into Force Setting Mode. Proceed with limit setting.

NOTE: *Repeated operation of the opener during adjustment procedures may cause motor to overheat and shut off. Allow a 15 minute cooling period after 5 continuous operations of the opener.*

Read the following carefully before proceeding to Force Adjustment. Use a screwdriver to make limit adjustments.

If Door Doesn't Open Completely but Opens at Least 1.5m (5 feet): Increase up travel. Turn the up limit adjustment screw clockwise. One turn equals 5cm (2") of travel.

If door does not open at least 1.5m (5 feet). Adjust force, see Force Adjustment: Place the opener into the Force Adjustment Mode, see Force Adjustment.

If Door Doesn't Close Completely: If door arm is at maximum length, increase down travel. Turn down limit adjustment screw counterclockwise. One turn equals 5cm (2") of travel. If the door still will not close completely, the header bracket is positioned too high.

If Opener Reverses in Fully Closed Position: Decrease down travel. Turn down limit adjustment screw clockwise. One turn equals 5cm (2") of travel.

If Door Reverses when Closing and there is no Interference to Travel Cycle: Test door for binding. Pull manual release handle. Manually open and close door. If door is binding, call a door serviceman. If door is not binding or unbalanced, place the opener into the Force Setting Mode, see Force Settings.

PROCEED TO "FORCE SETTINGS" TO COMPLETE STEP "LIMIT ADJUSTMENT". Forces must be learned in order for limit adjustments to operate properly.

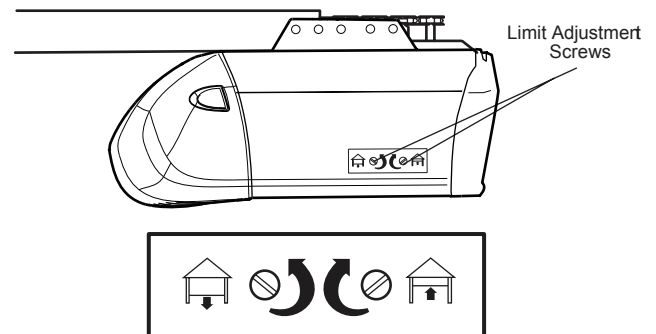
WARNING

Without a properly installed safety reversal system, persons (particularly small children) could be SERIOUSLY INJURED or KILLED by a closing garage door.

- Incorrect adjustment of garage door travel limits will interfere with proper operation of safety reversal system.
- If one control (force or travel limits) is adjusted, the other control may also need adjustment.
- After ANY adjustments are made, the safety reversal system MUST be tested. Door MUST reverse on contact with 40mm high object on floor.

CAUTION

To prevent damage to vehicles, be sure fully open door provides adequate clearance.



ADJUSTMENT STEP 2

Adjust the Force

The force, as measured on the closing edge of the door, should not exceed 400N (40kg). If the closing force is measured to more than 400N, the Protector System must be installed See step 3 on page 27.

The force setting button is located on the back panel of the motor unit. The force setting regulates the amount of power required to open and close the door. If the forces are too light, door travel may be interrupted by nuisance reversals.

Locate the button on the back panel of motor unit. Push the button twice to enter into Force Setting Mode. The LED (Indicator Light) will flash. Push the wall control or the programmed remote control that was shipped with your opener. The door will travel to either the OPEN or CLOSE position. Push the button again, the door will travel to the opposite position. Push the button again if the LED is still blinking.

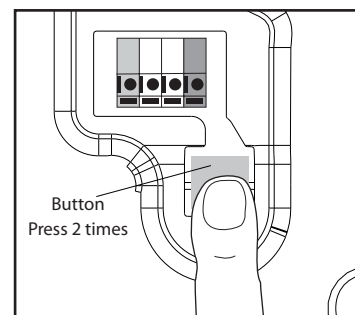
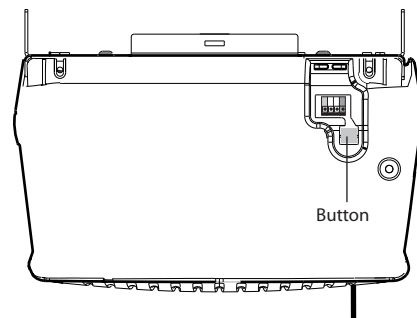
The door must travel through a complete cycle UP and DOWN in order for the force to be set properly. If the unit reverses before it reaches the Open or Close Limit repeat the process. The LED (indicator light) will stop flashing when the force has been learned.

Note: If unable to set limits return to page 25.

⚠ WARNING

Without a properly installed safety reversal system, persons (particularly small children) could be SERIOUSLY INJURED or KILLED by a closing garage door.

- Too much force on garage door will interfere with proper operation of safety reversal system.
- NEVER increase force beyond minimum amount required to close garage door.
- NEVER use force adjustments to compensate for a binding or sticking garage door.
- If one control (force or travel limits) is adjusted, the other control may also need adjustment.
- After ANY adjustments are made, the safety reversal system MUST be tested. Door MUST reverse on contact with 40mm high object on floor.
- The force, as measured on the closing edge of the door, should not exceed 400N (40kg). If the closing force is more than 400N, the Protector System must be installed. Do not use the force setting procedure to compensate for a binding or sticking garage door. Excessive force will interfere with the proper operation of the Safety Reverse System or damage the garage door.



ADJUSTMENT STEP 3

Test the Safety Reverse System

TEST

- With the door fully open, place a 40mm board on the floor, centred under the garage door.
- Operate the door in the down direction. The door **must** reverse on striking the obstruction.

ADJUST

- If the door stops on the obstruction, it is not traveling far enough in the down direction. Increase the DOWN limit by turning the DOWN limit adjustment screw counterclockwise 1/4 turn.
NOTE: On a sectional door, make sure limit adjustments do not force the door arm beyond a straight up and down position. See the illustration on page 23.
- Repeat the test.
- When the door reverses on the 40mm board, remove the obstruction and run the opener through 3 or 4 complete travel cycles to test adjustment.

If the door will not reverse on the board after repeated adjustment attempts, call for professional B&D garage door service.

IMPORTANT SAFETY CHECK:

Repeat Adjustment Steps 1, 2 and 4 after:

- Each adjustment of door arm length, limits, or force controls.
- Any repair to or adjustment of the garage door (including springs and hardware).
- Any repair to or buckling of the garage floor.
- Any repair to or adjustment of the opener.

ADJUSTMENT STEP 4

Test the Safety Infra-red Reversing Sensors (if installed)

- Press the remote control push button to open the door.
- Place the opener carton in the path of the door.
- Press the remote control push button to close the door. The door will not move more than 25mm, and the door control will blink 10 times.

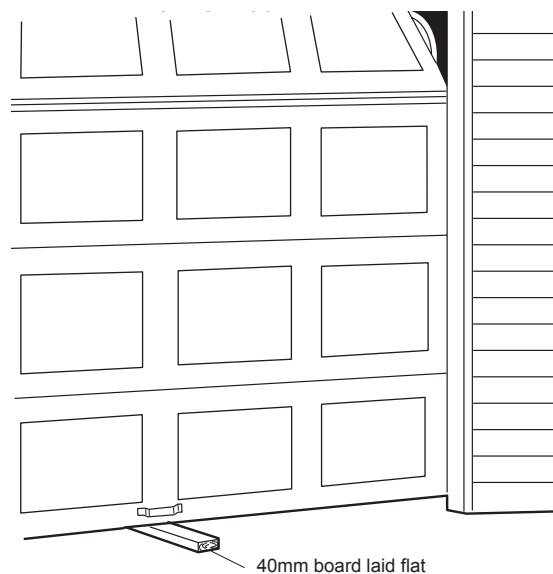
The garage door opener will not close from a remote if the indicator light in either sensor is off (alerting you to the fact that the sensor is misaligned or obstructed).

If the opener closes the door when the safety reversing sensor is obstructed (and the sensors are no more than 150mm above the floor), call for professional B&D garage door service.

⚠ WARNING

Without a properly installed safety reversal system, persons (particularly small children) could be **SERIOUSLY INJURED** or **KILLED** by a closing garage door.

- Safety reversal system **MUST** be tested every month.
- If one control (force or travel limits) is adjusted, the other control may also need adjustment.
- After **ANY** adjustments are made, the safety reversal system **MUST** be tested. Door **MUST** reverse on contact with 40mm high object on the floor.

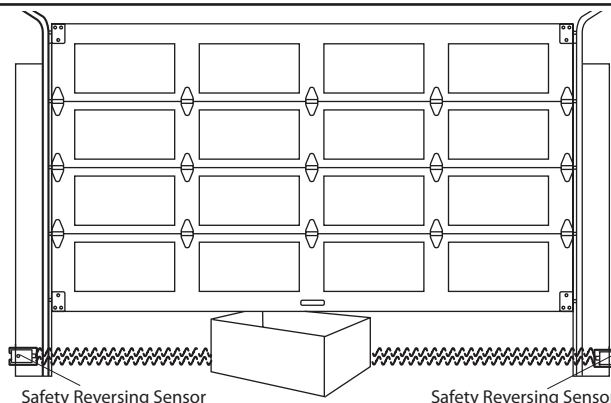


40mm board laid flat

⚠ WARNING

Without a properly installed safety reversing sensor, persons (particularly small children) could be **SERIOUSLY INJURED** or **KILLED** by a closing garage door.

The force, as measured on the closing edge of the door, should not exceed 400N (40kg). If the closing force is more than 400N, the Safety Infra-red Reversing Sensor must be installed. Do not use the force setting procedure to compensate for a binding or sticking garage door. Excessive force will interfere with the proper operation of the Safety Reverse System or damage the garage door.



Safety Reversing Sensor

Safety Reversing Sensor

OPERATION

IMPORTANT SAFETY INSTRUCTIONS

WARNING

To reduce the risk of severe injury or death:

1. READ AND FOLLOW ALL WARNINGS AND INSTRUCTIONS.
2. ALWAYS keep remote controls out of reach of children. NEVER permit children to operate or play with garage door control push buttons or remote controls.
3. ONLY activate garage door when it can be seen clearly, it is properly adjusted, and there are no obstructions to door travel.
4. ALWAYS keep garage door in sight until completely closed. NO ONE SHOULD CROSS THE PATH OF THE MOVING DOOR.
5. If possible, use emergency release handle to disengage trolley ONLY when garage door is CLOSED. Weak or broken springs or unbalanced door could result in an open door falling rapidly and/or unexpectedly.
6. NEVER use emergency release handle unless garage doorway is clear of persons and obstructions.
7. NEVER use handle to pull garage door open or closed. If rope knot becomes untied, you could fall.
8. If one control (force or travel limits) is adjusted, the other control may also need adjustment.
9. After ANY adjustments are made, the safety reversal system MUST be tested.
10. Safety reversal system MUST be tested every month. Garage door MUST reverse on contact with 40mm high object on the floor.
11. ALWAYS KEEP GARAGE DOOR PROPERLY BALANCED (see page 3). An improperly balanced door may not reverse when required and could result in severe injury or death.
12. All repairs to cables, spring assemblies and other hardware, all of which are under EXTREME tension, MUST be made by a trained door systems technician.
13. ALWAYS disconnect electric power to garage door opener before making any repairs or removing covers.
14. The force, as measured on the closing edge of the door, should not exceed 400N (40kg). If the closing force is more than 400N, the Protector System must be installed. Do not use the force setting procedure to compensate for a binding or sticking garage door. Excessive force will interfere with the proper operation of the Safety Reverse System or damage the garage door.
15. **SAVE THESE INSTRUCTIONS.**

Using Your Garage Door Opener

Your opener will operate with up to twelve remote control transmitters, one entry keypad, and one dip-switch code transmitter. If you purchase a new remote, or if you wish to deactivate any remote, follow the instructions in the *Programming* section.

Activate your opener with any of the following:

- *The hand-held Remote Control:* Hold the large push button down until the door starts to move.
- *The wall-mounted Door Control (Optional):* Hold the push button down until the door starts to move.
- *The Keyless Entry (Optional):* Must be programmed before use.

When the opener is activated:

1. If open, the door will close. If closed, it will open.
2. If closing, the door will stop and reverse.
3. If opening, the door will stop.
4. If the door has been stopped in a partially open position, it will close.
5. If obstructed while closing, the door will reverse. If the obstruction interrupts the sensor beam, the opener lights will blink for five seconds.
6. If obstructed while opening, the door will stop.
7. If fully open and the Infa-Red Safety Sensor is installed, the door will not close when the beam is broken. The sensor has no effect in the opening cycle.

The opener light will turn on under the following conditions: when the opener is initially plugged in; when power is restored after interruption; when the opener is activated.

It will turn off automatically after 2-1/2 minutes. Globe power is 40 watts maximum.

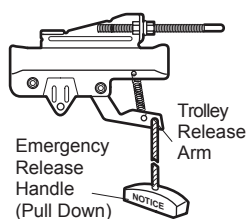
To Open the Door Manually

⚠ WARNING

- To prevent possible **SERIOUS INJURY** or **DEATH** from a falling garage door:
 - If possible, use emergency release handle to disengage trolley **ONLY** when garage door is **CLOSED**. Weak or broken springs or unbalanced door could result in an open door falling rapidly and/or unexpectedly.
 - **NEVER** use emergency release handle unless garage doorway is clear of persons and obstructions.
- **NEVER** use handle to pull door open or closed. If rope knot becomes untied, you could fall.

DISCONNECT THE TROLLEY:

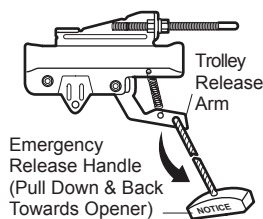
The door should be fully closed if possible. Pull down on the emergency release handle (so that the trolley release arm snaps into a vertical position) and lift the door manually. The *lockout feature* prevents the trolley from reconnecting automatically, and the door can be raised and lowered manually as often as necessary.



**Lockout position
(Manual disconnect)**

TO RE-CONNECT THE TROLLEY:

Pull the emergency release handle toward the opener at a 45° degree angle so that the trolley release arm is horizontal. The trolley will reconnect on the next UP or DOWN operation, either manually or by using the door control or remote.



To reconnect

Care of Your Opener

LIMIT AND FORCE ADJUSTMENTS:

Weather conditions may cause some minor changes in door operation requiring some re-adjustments, particularly during the first year of operation.

Limit Controls



Adjustment Label
(Located on the left side panel)

Pages 25 and 26 refer to the limit and force adjustments.

Repeat the safety reverse test (Adjustment Step 3, page 27) after any adjustment of limits or force.

MAINTENANCE SCHEDULE

Once a Month

- Manually operate door. If it is unbalanced or binding, call for professional garage door service.
- Check to be sure door opens & closes fully. Adjust limits and/or force if necessary. (See pages 25 and 26.)
- Repeat the safety reverse test. Make any necessary adjustments. (See Adjustment Step 3.)

Twice a Year

- Check chain tension. Disconnect trolley first. Adjust if necessary (see page 11).

Once a Year

- Oil door rollers, bearings and hinges. The opener does not require additional lubrication. Do not grease the door tracks.
- Lubricate the chain.

THE REMOTE CONTROL BATTERY

The lithium battery should produce power for up to 5 years. To replace battery, use the visor clip or screwdriver blade to pry open the case. Insert battery positive side up.

Dispose of old battery properly.

⚠ WARNING

- To prevent possible **SERIOUS INJURY** or **DEATH**:
- **NEVER** allow small children near batteries.
 - If battery is swallowed, immediately notify doctor.

Troubleshooting

1. Opener doesn't operate from either door control or remote:

- Does the opener have electric power? Plug lamp into outlet. If it doesn't light, check the fuse box or the circuit breaker. (Some outlets are controlled by a wall switch.)
- Have you disengaged all door locks? Review installation instruction warnings on page 1.
- Is there a build-up of ice or snow under door? The door may be frozen to ground. Remove any obstruction.
- The garage door spring may be broken. Have it replaced.
- Repeated operation may have tripped the overload protector in the motor. Wait 15 minutes. Try again.

2. Opener operates from remote but not from door control:

- Is door control button lit? If not, remove the bell wire from the opener terminals. Short the red and white terminals by touching both terminals at the same time with a piece of wire. If the opener runs, check for a faulty wire connection at the door control, a short under the staples, or a broken wire.
- Are wiring connections correct? Review page 3.

3. Door operates from door control but not from remote:

- Check battery. Replace battery if necessary.
- Is the light at the wall control flashing? Press button with key-symbol to unlock the opener against remote controls.
- Is the receiver LED flashing at the back-side of the opener when the transmitter is pressed? The opener receiver must re-learn the remote control code. Follow the instructions on page 4.
- If you purchased a new remote control then check at carton of remote control for compatibility or call the Service Hotline.

4. Remote has short range:

- Is battery installed? If needed, change the battery.
- Change the location of the remote control on the car.
- A metal garage door, foil-backed insulation or metal siding will reduce the transmission range.
- Use outside coaxial antenna adapter to move antenna.

5. Door reverses for no apparent reason and opener light doesn't blink:

- Is something obstructing the door? Pull manual release handle. Operate door manually. If it is unbalanced or binding, call for professional garage door service.
- Clear any ice or snow from garage floor area where garage door closes.
- Review *Force Settings*. Open and close the door in learn mode for several (3-5) consecutive cycles to allow the operator to adjust to inconsistent doors.
- If door reverses in FULLY CLOSED position, re-learn travel limits.

Repeat safety reverse test after adjustment is complete.

The need for occasional adjustment of the force and limit settings is normal. Weather conditions in particular can affect door travel.

6. Door reverses for no apparent reason and opener light blinks for 5 seconds after reversing:

Check the safety IR beams (if you have installed this accessory). If the light is blinking, correct alignment.

Note: *Continuously holding down the door control button will allow the door to close if the protector system is not properly aligned. The transmitter will not close the door. The opener lights will blink.*

7. Opener noise is disturbing in living quarters of home:

If operational noise is a problem because of proximity of the opener to the living quarters, Vibration Isolator Kit 62155 can be installed. This kit was designed to reduce the "sounding board effect" and is easy to install.

8. The garage door opens and closes by itself:

- Delete all remote controls and reprogram.
- Make sure remote push button is not stuck "on".
- Disconnect all push buttons or key switches attached and wait one day.

9. Door stops but doesn't close completely:

Review Limit Adjustment section.

Repeat safety reverse test after any adjustment of door arm length, close force or down limit.

10. Door opens but won't close:

- Check The Protector System™ (if you have installed this accessory). If the light is blinking, correct alignment.
- If opener light does not blink and it is a new installation, check the down force.

Repeat the safety reverse test after the adjustment is complete.

11. Opener light does not turn on:

Replace light bulb (40 Watts maximum). Replace burned out bulbs with rough service light bulbs.

12. Opener light does not turn off:

There may be a defective earth at the ceiling or wall receptacle. The unit must be earthed.

13. Opener strains or reversed during opening:

Door may be unbalanced or springs are broken. Close door and use manual release rope and handle to disconnect trolley. Open and close door manually. A properly balanced door will stay in any point of travel while being supported entirely by its springs. If it does not, call for professional garage door service to correct the problem. Do not change force settings.

14. Opener motor hums briefly, then won't work:

- Garage door springs are broken. SEE ABOVE.
- If problem occurs on first operation of opener, door is locked. Disable door lock. If chain was removed and reinstalled, the motor may be out of phase. Remove chain; cycle motor to down position. Observe drive sprocket. When it turns in clockwise direction and stops in down position, re-install chain.

Repeat safety reverse test after adjustment is complete.

15. Opener won't activate due to power failure:

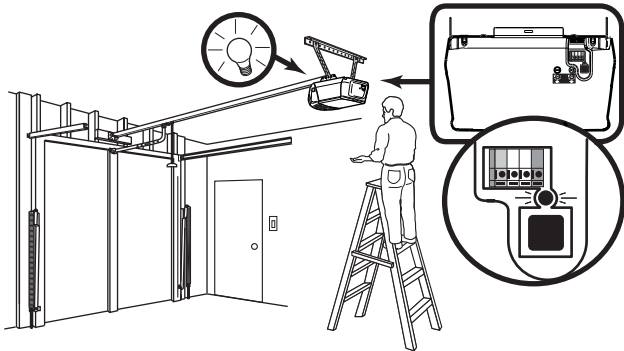
- Pull manual release rope and handle down and back to disconnect trolley. Door can be opened and closed manually. When the power is restored, pull the manual release handle straight down. The next time the opener is activated, the trolley will reconnect.
- The Outside Quick Release accessory (if fitted) disconnects the trolley from outside the garage in case of power failure.

PROGRAMMING

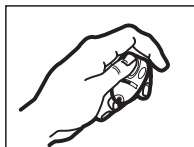
Below are instructions for programming your opener to operate with remote control transmitters.

To Code a Hand-held Remote Control Transmitter

USING THE "SMART" BUTTON



1. Press and hold the button on the hand-held remote* that you wish to operate your garage door.



2. Press and release the "Learn" button on the back panel of the opener.



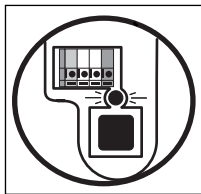
3. The light bulb will blink when the code has been accepted. If light bulb is not installed, two clicks will be heard.



To Erase All Codes From Opener Receiver Memory

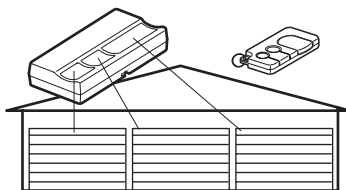
To deactivate any unwanted remote, first erase all codes:

Press and hold the "Learn" button on opener until the smart indicator light goes out (approximately 6 seconds). All previous codes are now erased. Reprogram each remote or keyless entry you wish to use.



*Multi-Function Remotes

If provided with your garage door opener, the large button is factory programmed to operate it. Additional buttons on any multi-function remote or mini-remote can be programmed to operate other garage door openers.



SPECIFICATIONS

Horsepower43
 Rated Pull Force 700N
 Stand-by power rating
 @ 230V 5.5W

Motor

Type Permanent split capacitor
 Speed 1500 rpm
 Volts 230-240 Volts AC-50Hz Only
 Current 2.0 amperes

Drive Mechanism

Gears 16:1 worm gear reduction
 Drive Chain with one-piece trolley on steel T-rail.
 Length of Travel Adjustable to 2.29m (7-1/2 feet)
 Travel Rate 127mm (5") per second
 Lamp On when door starts, off 2-1/2 minutes after stop.
 Door Linkage Adjustable door arm. Pull cord trolley release.

Safety

Personal Push button and stop. Push button and automatic reversal in **down** direction. Push button and automatic stop in **up** direction.
 Electronic Independent **up** and **down** force adjustment screws.
 Electrical Motor overload protector and low voltage push button wiring.
 Limit Device Circuit actuated by limit nut.
 Limit Adjustment Screwdriver adjustment on side panel.
 Start Circuit Low voltage push button circuit.

Dimensions

Length (Overall) 3.1m (122-1/2")
 Headroom Required 5cm (2")
 Hanging Weight 14.5 kg (32 lb)

Receiver

Operating Frequency 433.92MHz
 Computer Codes 8
 Code Switch Code 1
 Keypad Code 1

WARRANTY

1. Definitions

'B&D' means

(a) in Australia - B&D Doors of 17 Oasis Court, Clontarf, Queensland, 4019, a division of B&D Australia Pty Ltd (ABN 25 010 473 971), or

(b) in New Zealand - B&D Doors NZ Ltd of 70 Allens Road East Tamaki Auckland, which is a subsidiary of B&D Australia Pty Ltd.

'Purchaser' means the purchaser of the Opener.

'Opener' means the 'Easylifter Automatic Garage Door Opener'

'Authorised Distributor' means an approved B&D distributor of the Opener.

'Major Components' means all components of the Opener that make up the power head that is attached to a garage door.

'Ancillary Components' means all components of the Opener which are not Major Components.

'Manufacturer's Written Instruction Manual' means the instruction manual provided with the Opener.

2. This warranty applies to every sale of an Opener to a Purchaser by B&D or its approved distributor, and is the only warranty given on behalf of B&D.
3. B&D warrants that it will, at its option, either repair or replace any defects:
 - (i) in materials or workmanship in the Opener, subject to the following:
 - (a) for Major Components of the Opener that are installed by B&D or an approved distributor the warranty shall be valid for a period of twelve (12) months;
 - (b) for Major Components of the Opener that are not installed by B&D or an approved distributor the warranty shall be valid for a period of twelve (12) months, provided that all costs of disconnection, reinstallation and freight shall be borne by the Purchaser.for Ancillary Components of the Opener the warranty shall be valid for a period of twelve (12) months.
 - (ii) in installation for a period of twelve (12) months from the date of installation where the Opener has been installed by B&D or its Authorised Distributor.
4. The warranties provided in clause 3(i) shall only apply to an Opener which is being used under normal use and service in accordance with the Manufacturer's Written Instruction Manual and are limited to the repair or replacement, at B&D's option, of any defective Opener or parts thereof.
5. The warranty provided in clause 3(i) shall apply from:
 - (i) the date of delivery of the Opener by B&D; or
 - (ii) the date of installation of the Opener by B&D or one of its authorised installers; or
 - (iii) the date of purchase of the Opener by the Purchaser;whichever is the later.
6.
 - (i) Where the Opener has been sold to the Purchaser by B&D, the Purchaser shall make all warranty claims hereunder directly with B&D;
 - (ii) Where the Opener has been sold to the Purchaser by an Authorised Distributor, the Purchaser shall make all warranty claims hereunder directly with the Authorised Distributor.
7. The Purchaser will pay for any service call made by B&D or an Authorised Distributor where such a call is made for the purpose of adjustment (as described in the Manufacturers Written Instruction Manual) and not for rectification of a defect pursuant to the warranty hereunder.
8.
 - (i) The Purchaser shall be responsible for any expense incurred by B&D or an Authorised Distributor in ensuring that the Opener is readily accessible for any repair work carried out under this warranty.

Where an Opener is installed outside a capital city metropolitan area and a warranty claim is made pursuant to this warranty, any travelling expenses and costs of transporting the Opener, incurred by B&D or its Authorised Distributor, shall be borne by the Purchaser.

WARRANTY

9. Subject to paragraph 12 hereof;
- (i) the obligations of B&D under this warranty are limited to those contained herein and such warranties are expressly in lieu of all other warranties, express or implied, including any implied warranty of merchantability or fitness for a particular purpose and notwithstanding any course of dealing between the parties or custom and usage in the trade to the contrary.
 - (ii) B&D shall not be subject to nor incur and the Purchaser releases B&D from any claim or liability (including consequential loss or damage and loss or use or profit) by reason of delay, defective or faulty materials or workmanship, negligence or any act, matter or thing done, admitted or omitted by B&D.
10. Subject to Clause 12 hereof, this warranty does not extend to and B&D will be relieved of all obligations, responsibilities and liabilities (direct or consequential) in the event that defects in manufacture of the Opener are directly or indirectly in the opinion of B&D due to or result from:
- (i) being fitted to any door or other closing device which is not of the type or condition defined in the Manufacturers Written Instruction Manual as suitable for installation of the Opener.
 - (ii) Lack of proper maintenance or care – failure to have the door serviced annually may void this warranty.
 - (iii) Incorrect and unreasonable use.
 - (iv) Faulty installation or adjustment of the Opener or door to which the Opener is connected where such installation or adjustment is not carried out by B&D or one of its Authorised B&D Distributors.
 - (v) Failure to observe any instructions or directions provided with the Opener or given to the Purchaser by B&D or an Authorised Distributor.
 - (vi) Modifications or repairs made or attempted to be made by any unauthorised person.
 - (vii) Faulty electrical wiring of structures to which the Opener is affixed.
 - (viii) Radio (including citizen band transmissions) or other electronic interference.
 - (ix) Water damage, including effects from rust and corrosion.
 - (x) Use with doors locked.
11. The warranty contained in Clause 3 does not cover batteries or globes and B&D shall not be liable for any defect, malfunction or failure of such items.
12. It is expressly provided that the warranties or any terms and conditions of them or other statement contained in this document or other literature given to the Purchaser shall not be read or applied so as to purport to exclude, restrict or modify or have the effect of excluding, restricting or modifying the application in relation to the supply of the Opener of all or any of the provisions of Divisions 2 and 2A of Part V of the Trade Practices Act, 1974, or the Consumer Guarantees Act 1993 if the purchase is a 'consumer' and purchased the opener in New Zealand, ("The Act") as amended or the exercise of a right conferred by such a provision or any other condition or warranty implied by any relevant State Act or Territorial Ordinance or by the general law and which by law cannot be excluded, restricted or modified provided that to the extent that the Act permits B&D to limit its liability for a breach of condition or warranty implied by the Act, B&D's liability for such breach shall be limited to the payment of the cost of replacing the Opener or acquiring an equivalent Opener or repairing the Opener.
13. This warranty shall be governed by and construed in accordance with Australian law if the opener was purchased in Australia, or New Zealand law if the opener was purchased in New Zealand
14. Upon making a claim under this warranty the purchaser must produce proof of the date of purchase, together with the details set out below:

Purchased From: _____
Installed By: _____
Installed Date: _____

The Purchaser shall complete this certificate and keep it together with a copy of the receipt of purchase in a safe place – production of such information will assist the handling of a claim made under this warranty.

QLD Office:	17 Oasis Court, Clontarf 4019.	Ph: (07) 3883 0200
NSW Office:	34-36 Marigold St, Revesby 2212.	Ph: (02) 9722 5555
VIC/TAS Office:	147-153 Canterbury Road, Kilsyth 3137.	Ph: (03) 9237 7766
SA Office:	23 Frederick Road, Royal Park 5014.	Ph: (08) 8440 4747
WA Office:	96 Mulgul Drive, Malaga 6090.	Ph: (08) 9247 8777
NZ Office:	70 Allens Road, East Tamaki, Auckland. www.bnd.co.nz	Ph: (09) 273 8600

B&D Doors is a Division of B&D Australia Pty Limited - ABN 25 010 473 971
www.bnd.com.au